



MDS Midwest
WINDOW FASHIONS Designer
Supply
www.midwestdesignersupply.com

Product Guide & Retail Price List

888-523-2611
262-524-1007 (fax)



Motorized and Manual Shading Systems

Residential

Hospitality

Commercial



All BTX motorized systems are high value items and in some cases may require crating in order to ensure safe, damage-free shipment. Standard packaging charges are not included in prices shown. Freight and crating costs for large or unique products may vary depending on size of shipment. These will need to be evaluated on a per-order basis and may be subject to additional fees. Most trucking companies and common carriers charge higher rates for residential deliveries and oversized crates. Please contact factory for estimates.

While most products use electronic limits, some motorized systems feature internal mechanical limit switches. These systems are typically pre-set at the factory for automatic stop at open and close positions. It is recommended that the shade installer have a BTX motor test cable for job site testing to make limit adjustments when required.

BTX provides control solutions that are custom designed for your project. For complete pricing information on switches, IR or radio remote, low voltage interface, and other controls, please call the factory for more information.

This Price Guide has been designed so you will be able to select the motorization system that best meets your specific requirements at the best price level.

Contact a BTX Team Member for further information or assistance about:

- The choice or availability of fabrics
- Wiring and control methods
- How to integrate BTX motorized products into home automation systems and networks
- Design/installation questions
- Other matters concerning BTX products

*All prices shown are F.O.B. factory. Custom crating charges may apply.
Prices are subject to change without prior notice.
1-800-422-8839 or 214-340-2800 and www.btxinc.com*



BTX Roller Shades bring a new dimension of style and functionality to your interior with a full line of manual and motorized solutions. Whether large or small, every system shipped from BTX is built-to-spec specifically for your project. Whether you're looking for a large contract project, or a stylish residential application, BTX can provide a solution to suit your needs.

Designed for simplicity, BTX Roller Shade systems utilize a streamlined approach. Our latest program offering delivers a choice of optimal hardware variations, so you can find it easier to quote, order, install, and operate your favorite BTX systems. For more custom solutions, you can always contact a BTX Team Member for your project requirements.



BTX Roller Shade systems have a wide range of options. This guide uses a very simple pricing and presentation model to ensure your quoting process is smooth and easy. There are four main lines in the Roller Shade category: Small (S), Medium (M), Large (L), Extra Large (XL). Each line offers several options based on your requirements.

S Class (Small) Roller Shade System

- Manual or Motorized
- Max size: 6 ft. by 8 ft. *(depending on fabric weight)*
- 1.5 in. tube and bracket system
- 3 in. or 4 in. fascia options
- Cassette with fabric wrap options
- DC motor options w/ battery wand or plug-in transformer
- Small HD system option with AC motor available

L Class (Large) Roller Shade System

- Manual or Motorized
- Max size: 13 ft. by 17 ft. *(depending on fabric weight)*
- 2.5 in. tube and bracket system
- 4 in. fascia options
- AC, DC, and Battery motor options

M Class (Medium) Roller Shade System

- Manual or Motorized
- Max size: 9 ft. by 12 ft. *(depending on fabric weight)*
- 2 in. tube and bracket system
- 4 in. fascia options
- Cassette with fabric wrap options
- AC, DC, and Battery motor options

XL Class (Extra Large) Roller Shade System

- Motorized only
- Max size: 15 ft. by 17 ft. *(depending on fabric weight)*
- 3.25 in. tube and bracket system
- AC, DC, and Battery motor options

Pricing Instructions

Before pricing your Roller Shade system, you need to determine what type of system best suits your needs. Please consider the following:

- What type of fabric do you want?
 - If you require swatch samples, please contact the factory to check availability, or request a sample on our website through our Fabric Portfolio at btxinc.com/fabric-portfolio
 - Does your shade size exceed the fabric's roll width? Is the fabric railroadable?
- What type of control method are you looking for?
 - Manual: Chain pull
 - Motorized: Remote control, wall switch, third party integration, etc.
- What sizes do you need?
 - Recommended max dimensions by system type are as follows: Small: 6' x 8', Medium: 9' x 12', Large: 13' x 17', Extra Large: 15' x 17'
 - If you exceed these dimensions, you may need a coupled system, or you may need to contact the factory
- What options are you looking for?
 - Fascia, Side Channel, Sill Channel, Pocket, Closure, etc.
 - Motor surcharges will include all the necessary hardware costs to change your system from manual to motorized

How to Price Manual Roller Shade Systems

Roller Shade systems are provided as complete assemblies with fabric, and are built to specification. See the steps below to see how to price out your drapery systems:

- 1 Identify the type of hardware system you need (Small, Medium, Large, or Extra Large), based on the size of your window and what accessory features you want.
- 2 Identify the type of fabric you want for your shade. Technical information for fabrics can be found on pages 31-39. Once determined, use the Fabric Index (page 31-32) to locate which pages your fabric grid can be found.
- 3 Round your shade dimensions up to the nearest foot and locate the corresponding price in the grid.

HEIGHT		WIDTH					
		1 ft. 12 in.	2 ft. 24 in.	3 ft. 36 in.	4 ft. 48 in.	5 ft. 60 in.	
1 ft.	12 in.	\$78	\$94	\$111	\$127	\$144	
2 ft.	24 in.	\$81	\$101	\$121	\$141	\$161	
3 ft.	36 in.	\$84	\$107	\$131	\$154	\$177	
4 ft.	48 in.	\$88	\$114	\$141	\$167	\$194	
5 ft.	60 in.	\$91	\$121	\$151	\$181	\$210	
6 ft.	72 in.	\$94	\$127	\$155	\$185	\$216	
7 ft.	84 in.	\$98	\$134	\$171	\$207	\$244	

Example: 42 in. by 65 in. would price out at 48 in. by 72 in.

How to Price Manual Roller Shade Systems (continued)

- Using the same dimensions, add any surcharges you desire to your selected grid price.

Surcharges							
Feet	1 ft.	2 ft.	3 ft.	4 ft.	5 ft.	6 ft.	
Inches	12 in.	24 in.	36 in.	48 in.	60 in.	72 in.	
3 in. Fascia	\$65	\$75	\$85	\$95	\$105	\$115	
Cassette	\$35	\$70	\$105	\$140	\$175	\$210	
Sill Channel	\$15	\$30	Example: Adding Cassette with Fabric Wrap to a 42 in. by 65 in. shade.				\$90
Sill Angle	\$8	\$16	\$24	\$32	\$40	\$48	
Shade Pocket	\$100	\$125	\$150	\$175	\$200	\$225	
Pocket Hanger	\$10	\$20	\$30	\$40	\$50	\$60	
Pocket Closure	\$15	\$30	\$45	\$60	\$75	\$90	
External Hembar	\$0	\$0	\$0	\$0	\$0	\$0	
Hanging Valance	\$30	\$60	\$90	\$120	\$150	\$180	

Note: Cassette can come with or without fabric wrap.
 Note: Side channel is available at \$30 per foot. Includes both sides of window and pile insert.
 Note: Hanging valances are not available with returns.
 Note: HD tube upgrade is required for BTX 35QE RF and ST40. HD tube is available up to 10-feet for designated motors. Call factory for specifics.

How to Price Motorized Roller Shade Systems

Price the manual system and add the motor upcharge cost.

- Follow all instructions for pricing a manual Roller Shade, then proceed to step 2.
- Looking at the motor upcharge options, select the motor and control that best fits your scenario and add them to the grid price.

Motor Options	
Example: Add \$485 to change to the BTX 35QE RF motor	
BTX 35QE RF*	\$485
Somfy R28 with Battery Wand*	\$600
Somfy R28 RTS Li-ion WireFree (charger sold separately)*	\$600
Somfy ST30 RTS with Transformer*	\$935

For system requirements outside the listed specifications, give us a call to review options and availability.

Grid Index - Alphabetical

Price Grid	Small	Medium	Large	Extra Large
1	Pg 47	Pg 56	Pg 65	Pg 74
2	Pg 48	Pg 57	Pg 66	Pg 75
3	Pg 49	Pg 58	Pg 67	Pg 76
4	Pg 51	Pg 59	Pg 68	Pg 77
5	Pg 52	Pg 60	Pg 69	Pg 78
6	Pg 53	Pg 61	Pg 70	Pg 79
7	Pg 54	Pg 62	Pg 71	Pg 80

BTX Sorina

BTX 780 BO.....	Grid 1
Castle LF.....	Grid 3
Castle BO.....	Grid 4

Coulisse

Berlin BO.....	Grid 3
Berlin TR.....	Grid 2
Brasilia TR.....	Grid 4
Como BO.....	Grid 5
Darwin BO.....	Grid 5
Eco 30 TR.....	Grid 4
Eco 50 TR.....	Grid 4
Esvedra TR.....	Grid 2
FE-14009 TR.....	Grid 4
Fernando BO.....	Grid 3
Fishbone TR.....	Grid 5
Fortazela TR.....	Grid 4
JA-14010 TR.....	Grid 5
JA2100X.....	Grid 5
JA-Aretha.....	Grid 4
JA-Bing TR.....	Grid 4
JA-BOT-1506XX TR.....	Grid 6
JA-Frank.....	Grid 4
JA-HER-15XXXX DO.....	Grid 6
JA-HER-15XXXX TR.....	Grid 6
JA-Louis.....	Grid 4
JA-Natking TR.....	Grid 5
JA-Nina TR.....	Grid 4
JA-Ray TR.....	Grid 6
JA-UNT-15XXXX BO.....	Grid 6
JA-UNT-15XXXX DO.....	Grid 5
Linen 5100.....	Grid 4
Lyon TR.....	Grid 5
Miami BO.....	Grid 4
Muenchen BO.....	Grid 5
Muenchen TR.....	Grid 3
Natal BO.....	Grid 4
Natal TR.....	Grid 2
Paris.....	Grid 6
PR-12308 TR.....	Grid 3
PR 79886.....	Grid 5
PR-Billie TR.....	Grid 3
PRF 90087.....	Grid 6
Richmond TR.....	Grid 5
SA-1443X BO.....	Grid 7
SA-1443X TR.....	Grid 5
SA 69754.....	Grid 5
SA-69764 TR.....	Grid 5
SAF 90056.....	Grid 7
SAF 90069 BO.....	Grid 7
SAF 90069 DO.....	Grid 6
Salvador.....	Grid 5
Santiago BO.....	Grid 5
SCA5-Linen.....	Grid 6
SCA-JA-ULT-Stones.....	Grid 7
SCA-JA-ULT-Honey.....	Grid 7
SCA-JA-ULT-Circles.....	Grid 7
Scale TR.....	Grid 6
SCP 5.....	Grid 5
SCP 7.....	Grid 6
SCP-CO-ULT-CX.....	Grid 7
SCP-JA-ULT-00X.....	Grid 7
SCR-1003.....	Grid 3

Coulisse (continued)

SCR-3001.....	Grid 3
SCR-3003.....	Grid 3
SCR-3005.....	Grid 3
SCR-3010.....	Grid 3
SCR-5001.....	Grid 3
TC-79886 TR.....	Grid 4
TRS-123XX TR.....	Grid 5
Winchester.....	Grid 5

Coulisse Nature

Bali.....	Grid 6
Beijing.....	Grid 5
Bombay.....	Grid 6
Gunsang.....	Grid 5
Gunsang Spangle.....	Grid 5
Hong Kong.....	Grid 5
Java.....	Grid 6
Jinju.....	Grid 5
Kowloon.....	Grid 5
Lin.....	Grid 5
Osaka.....	Grid 6
Pap.....	Grid 5
Puket.....	Grid 5
Saigon.....	Grid 6
Sapporo.....	Grid 5
Shanghai.....	Grid 5
Suzuka.....	Grid 5
Tokio.....	Grid 6

JM

Carina.....	Grid 2
Lima.....	Grid 3

Mermet

A-Screen.....	Grid 2
Avila Twilight.....	Grid 3
Avila Twilight FR.....	Grid 4
Deco Screen.....	Grid 3
E-Screen.....	Grid 3
E-Screen Chroma.....	Grid 6
E-Screen, KOOLBLACK.....	Grid 5
Flocke.....	Grid 7
GreenScreen Reflect.....	Grid 6
M-Screen.....	Grid 3
Natte.....	Grid 5
R-Screen.....	Grid 2
Satine.....	Grid 5
S-Screen.....	Grid 4
T-Screen.....	Grid 3
T-Screen Deco.....	Grid 3
T-Screen Naturals.....	Grid 3
T-Screen KOOLBLACK.....	Grid 5
Vienne.....	Grid 2
Vizela.....	Grid 6

Phifer

1000.....	Grid 2
2000.....	Grid 4
2100.....	Grid 3
2360.....	Grid 3
2390.....	Grid 4
2410.....	Grid 4
2500.....	Grid 4
2701.....	Grid 5
2703.....	Grid 4
2705.....	Grid 4
2710.....	Grid 4
3000.....	Grid 4
4000.....	Grid 4
4100.....	Grid 4
4400.....	Grid 4
4500.....	Grid 4
4550.....	Grid 4
4600.....	Grid 5
4650.....	Grid 4
4800.....	Grid 5
4901.....	Grid 5
4903.....	Grid 4
5000.....	Grid 4
7000.....	Grid 6
7100.....	Grid 5
7200R.....	Grid 4
7250R.....	Grid 3
7400.....	Grid 5
7450.....	Grid 3
7500.....	Grid 3
7500R.....	Grid 3
7600.....	Grid 5
7650.....	Grid 4
7700R.....	Grid 4
7750R.....	Grid 3
8000.....	Grid 5
Basic.....	Grid 3
Performance+ 2390.....	Grid 7
Performance+ 2410.....	Grid 7
Performance+ 2500.....	Grid 7
Infinity 2.....	Grid 6

Rollease

EnviroScreen.....	Grid 6
Green Karuna TR.....	Grid 4

SB2

Essential BO.....	Grid 2
Ice.....	Grid 2
Ice Board.....	Grid 2
Meridian BO.....	Grid 2
Oslo.....	Grid 3
Palm Beach LF.....	Grid 3
Palm Beach BO.....	Grid 5
Woodlands.....	Grid 3

SB2 - Senscreen Quick Ship

Senscreen.....	Grid 1
----------------	--------

Turnils

Fine Line.....	Grid 3
Fury.....	Grid 6
Kiana.....	Grid 3
Linen Light BO.....	Grid 6
Linen Light TR.....	Grid 3
Macau.....	Grid 3
Nordic Screen.....	Grid 3
Regal.....	Grid 2

Vertlux

3000 Screen.....	Grid 2
3000 BO.....	Grid 3
Sunset BO.....	Grid 2

Wilson

Aspen BO.....	Grid 6
Boston II BO.....	Grid 6
Boston II TR.....	Grid 4
Broome II BO.....	Grid 6
Broome II TR.....	Grid 4
Buxton BO.....	Grid 6
Concord II BO.....	Grid 6
Concord II TR.....	Grid 4
Fraser BO.....	Grid 6
Husk TR.....	Grid 4
Marley BO.....	Grid 6
Marley TR.....	Grid 4
Matrix BO.....	Grid 6
Matrix TR.....	Grid 4
Mercury II BO.....	Grid 6
Mercury II TR.....	Grid 4
Moma BO.....	Grid 6
Moma TR.....	Grid 4
Tuscany II BO.....	Grid 6
Tuscany II TR.....	Grid 4

Grid Index - Numerical

Price Grid	Small	Medium	Large	Extra Large
1	Pg 47	Pg 56	Pg 65	Pg 74
2	Pg 48	Pg 57	Pg 66	Pg 75
3	Pg 49	Pg 58	Pg 67	Pg 76
4	Pg 51	Pg 59	Pg 68	Pg 77
5	Pg 52	Pg 60	Pg 69	Pg 78
6	Pg 53	Pg 61	Pg 70	Pg 79
7	Pg 54	Pg 62	Pg 71	Pg 80

Grid 1
 BTX Sorina - BTX 780 BO.....Grid 1
 Senbesta - Senscreen.....Grid 1

Grid 2
 Coulisse - Berlin TR.....Grid 2
 Coulisse - Esvedra TR.....Grid 2
 Coulisse - Natal TR.....Grid 2
 JM - Carina.....Grid 2
 Mermet - A-Screen.....Grid 2
 Mermet - R-Screen.....Grid 2
 Mermet - Vienne.....Grid 2
 Phifer - 1000.....Grid 2
 Senbesta - Essential BO.....Grid 2
 Senbesta - Ice.....Grid 2
 Senbesta - Ice Board.....Grid 2
 Senbesta - Meridian BO.....Grid 2
 Turnils - Regal.....Grid 2
 Vertilux - 3000 Screen.....Grid 2
 Vertilux - Sunset BO.....Grid 2

Grid 3
 BTX Sorina - Castle LF.....Grid 3
 Coulisse - Berlin BO.....Grid 3
 Coulisse - Fernando BO.....Grid 3
 Coulisse - Muenchen TR.....Grid 3
 Coulisse - PR-12308 TR.....Grid 3
 Coulisse - PR-Billie TR.....Grid 3
 Coulisse - SCR-1003.....Grid 3
 Coulisse - SCR-3001.....Grid 3
 Coulisse - SCR-3003.....Grid 3
 Coulisse - SCR-3005.....Grid 3
 Coulisse - SCR-3010.....Grid 3
 Coulisse - SCR-5001.....Grid 3
 JM - Lima.....Grid 3
 Mermet - Avila Twilight.....Grid 3
 Mermet - Deco Screen.....Grid 3
 Mermet - E-Screen.....Grid 3
 Mermet - M-Screen.....Grid 3
 Mermet - T-Screen.....Grid 3
 Mermet - T-Screen Deco.....Grid 3
 Mermet - T-Screen Naturals.....Grid 3
 Phifer - 2100.....Grid 3
 Phifer - 2360.....Grid 3
 Phifer - 7250R.....Grid 3
 Phifer - 7450.....Grid 3
 Phifer - 7500.....Grid 3
 Phifer - 7500R.....Grid 3
 Phifer - 7750R.....Grid 3
 Phifer - Basic.....Grid 3
 Senbesta - Oslo.....Grid 3
 Senbesta - Palm Beach LF.....Grid 3
 Senbesta - Woodlands.....Grid 3
 Turnils - Fine Line.....Grid 3
 Turnils - Kiana.....Grid 3
 Turnils - Linen Light TR.....Grid 3
 Turnils - Macau.....Grid 3
 Turnils - Nordic Screen.....Grid 3
 Vertilux - 3000 BO.....Grid 3

Grid 4
 BTX Sorina - Castle BO.....Grid 4
 Coulisse - Brasilia TR.....Grid 4
 Coulisse - Eco 30 TR.....Grid 4
 Coulisse - Eco 50 TR.....Grid 4
 Coulisse - FE-14009 TR.....Grid 4
 Coulisse - Fortazela TR.....Grid 4
 Coulisse - JA-Aretha.....Grid 4
 Coulisse - JA-Bing TR.....Grid 4
 Coulisse - JA-Frank.....Grid 4
 Coulisse - JA-Louis.....Grid 4
 Coulisse - JA-Nina TR.....Grid 4
 Coulisse - Linen 5100.....Grid 4
 Coulisse - Miami BO.....Grid 4
 Coulisse - Natal BO.....Grid 4
 Coulisse - TC-79886 TR.....Grid 4
 Mermet - Avila Twilight FR.....Grid 4
 Mermet - S-Screen.....Grid 4
 Phifer - 2000.....Grid 4
 Phifer - 2390.....Grid 4
 Phifer - 2410.....Grid 4
 Phifer - 2500.....Grid 4
 Phifer - 2703.....Grid 4
 Phifer - 2705.....Grid 4
 Phifer - 2710.....Grid 4
 Phifer - 3000.....Grid 4
 Phifer - 4000.....Grid 4
 Phifer - 4100.....Grid 4
 Phifer - 4400.....Grid 4
 Phifer - 4500.....Grid 4
 Phifer - 4550.....Grid 4
 Phifer - 4650.....Grid 4
 Phifer - 4903.....Grid 4
 Phifer - 5000.....Grid 4
 Phifer - 7200R.....Grid 4
 Phifer - 7650.....Grid 4
 Phifer - 7700R.....Grid 4
 Rollease - Green Karuna TR.....Grid 4
 Wilson - Boston II TR.....Grid 4
 Wilson - Broome II TR.....Grid 4
 Wilson - Concord II TR.....Grid 4
 Wilson - Husk TR.....Grid 4
 Wilson - Marley TR.....Grid 4
 Wilson - Matrix TR.....Grid 4
 Wilson - Mercury II TR.....Grid 4
 Wilson - Moma TR.....Grid 4
 Wilson - Tuscany II TR.....Grid 4

Grid 5
 Coulisse - Como BO.....Grid 5
 Coulisse - Darwin BO.....Grid 5
 Coulisse - Fishbone TR.....Grid 5
 Coulisse - JA-14010 TR.....Grid 5
 Coulisse - JA2100X.....Grid 5
 Coulisse - JA-Natking TR.....Grid 5
 Coulisse - JA-UNT-15XXXX DO.....Grid 5
 Coulisse - Lyon TR.....Grid 5
 Coulisse - Muenchen BO.....Grid 5
 Coulisse - PR 79886.....Grid 5
 Coulisse - Richmond TR.....Grid 5
 Coulisse - SA-1443X TR.....Grid 5
 Coulisse - SA 69754.....Grid 5
 Coulisse - SA-69764 TR.....Grid 5
 Coulisse - Salvador.....Grid 5
 Coulisse - Santiago BO.....Grid 5
 Coulisse - SCP 5.....Grid 5
 Coulisse - TRS-123XX TR.....Grid 5
 Coulisse - Winchester.....Grid 5
 Coulisse Nature - Beijing.....Grid 5
 Coulisse Nature - Gunsang.....Grid 5
 Coulisse Nature - Gunsang Spangle.....Grid 5
 Coulisse Nature - Hong Kong.....Grid 5
 Coulisse Nature - Jinju.....Grid 6
 Coulisse Nature - Kowloon.....Grid 5
 Coulisse Nature - Lin.....Grid 5
 Coulisse Nature - Pap.....Grid 5
 Coulisse Nature - Puket.....Grid 5
 Coulisse Nature - Sapporo.....Grid 5
 Coulisse Nature - Shanghai.....Grid 5
 Coulisse Nature - Suzuka.....Grid 5
 Mermet - E-Screen, KOOLBLACK.....Grid 5
 Mermet - Natte.....Grid 5
 Mermet - Satine.....Grid 5
 Mermet - T-Screen, KOOLBLACK.....Grid 5
 Phifer - 2701.....Grid 5
 Phifer - 4600.....Grid 5
 Phifer - 4800.....Grid 5
 Phifer - 4901.....Grid 5
 Phifer - 7100.....Grid 5
 Phifer - 7400.....Grid 5
 Phifer - 7600.....Grid 5
 Phifer - 8000.....Grid 5
 Senbesta - Palm Beach BO.....Grid 5

Grid 6
 Coulisse - JA-BOT-1506XX TR.....Grid 6
 Coulisse - JA-HER-15XXXX DO.....Grid 6
 Coulisse - JA-HER-15XXXX TR.....Grid 6
 Coulisse - JA-Ray TR.....Grid 6
 Coulisse - JA-UNT-15XXXX BO.....Grid 6
 Coulisse - Paris.....Grid 6
 Coulisse - PRF 90087.....Grid 6
 Coulisse - SAF 90069 DO.....Grid 6
 Coulisse - SCA5-Linen.....Grid 6
 Coulisse - Scale TR.....Grid 6
 Coulisse - SCP 7.....Grid 6
 Coulisse Nature - Ball.....Grid 6
 Coulisse Nature - Bombay.....Grid 5
 Coulisse Nature - Java.....Grid 6
 Coulisse Nature - Osaka.....Grid 6
 Coulisse Nature - Saigon.....Grid 7
 Coulisse Nature - Tokio.....Grid 6
 Mermet - E-Screen Chroma.....Grid 6
 Mermet - GreenScreen Reflect.....Grid 6
 Mermet - Vizela.....Grid 6
 Phifer - 7000.....Grid 6
 Phifer - Infinity 2.....Grid 6
 Rollease - EnviroScreen.....Grid 6
 Turnils - Fury.....Grid 6
 Turnils - Linen Light BO.....Grid 6
 Turnils - Aspen BO.....Grid 6
 Wilson - Boston II BO.....Grid 6
 Wilson - Broome II BO.....Grid 6
 Wilson - Buxton BO.....Grid 6
 Wilson - Concord II BO.....Grid 6
 Wilson - Fraser BO.....Grid 6
 Wilson - Marley BO.....Grid 6
 Wilson - Matrix BO.....Grid 6
 Wilson - Mercury II BO.....Grid 6
 Wilson - Moma BO.....Grid 6
 Wilson - Tuscany II BO.....Grid 6

Grid 7
 Coulisse - SA-1443X BO.....Grid 7
 Coulisse - SAF 90056.....Grid 7
 Coulisse - SAF 90069 BO.....Grid 7
 Coulisse - SCA-JA-ULT-Stones.....Grid 7
 Coulisse - SCA-JA-ULT-Honey.....Grid 7
 Coulisse - SCA-JA-ULT-Circles.....Grid 7
 Coulisse - SCP-CO-ULT-CX.....Grid 7
 Coulisse - SCP-JA-ULT-00X.....Grid 7
 Mermet - Flocke.....Grid 7
 Phifer - Performance+ 2390.....Grid 7
 Phifer - Performance+ 2410.....Grid 7
 Phifer - Performance+ 2500.....Grid 7



Sorina® Roller Shades

Fabric Information

BTX Sorina Fabric Specifications

Fabric Style	Fabric Width	Openness	Composition	Thickness (in.)	Weight (oz/ yd2)	Railroad Y/N	Railroad + Seam Y/N
BTX 780	72 in.	Blackout	25% Fiberglass 75% PVC	0.030	13.4	Y	Y
Castle LF	118 in.	Light Filtering	100% Polyester with Acrylic Backing	0.021	6.49	N	N
Castle BO	118 in.	Blackout	100% Polyester with Acrylic Backing	0.023	11.5	N	N

Coulisse Fabric Specifications

Fabric Style	Fabric Width	Openness	Composition	Thickness (in.)	Weight (oz/ yd2)	Railroad Y/N	Railroad + Seam Y/N
Berlin BO	78, 98 in.	Blackout	100% Polyester	0.018	9.72	Y	Y
Berlin TR	78, 98 in.	TR	100% Polyester	0.012	6.21	Y	Y
Brasilia TR	118 in.	TR	100% Polyester Trevira CS	0.010	145g/sqm	n/a	n/a
Como BO	110 in.	Blackout	100% Polyester	0.015	10.77	N	N
Darwin BO	110 in.	Blackout	100% Polyester	0.021	350g/sqm	Y	N
Eco 30 TR	83 in.	5%	22" Polyester 78" PVC	0.035	198g/sqm	Y	Y
Eco 50 TR	83 in.	5%	22" Polyester 78" PVC	0.035	211g/sqm	Y	Y
Esvedra TR	79 in.	TR	100% Polyester Trevira CS	0.015	125g/sqm	Y	Y
FE-14009 TR	110 in.	TR	100% Polyester	0.016	190g/sqm	n/a	n/a
Fernando BO	110 in.	Blackout	100% Polyester	0.022	11.79	Y	Y
Fishbone TR	94 in.	TR	100% Polyester	0.007-0.015	115 - 165 g/m2	N	N
Fortaleza TR	118 in.	TR	100% Polyester Trevira CS	0.010	165g/sqm	n/a	n/a
JA-14010 TR	110 in.	TR	100% Polyester	0.020	220g/sqm	N	N
JA2100X	110 in.	TR	100% Polyester	0.019	120g/sqm	N	N
JA-Aretha	94 in.	TR	100% Polyester	0.010	105g/sqm	Y	Y
JA-Bing TR	94 in.	TR	100% Polyester	0.010	105g/sqm	N	N
JA-BOT-1506XX TR	98 in.	TR	100% Polyester	0.017	315g/sqm	N	N
JA-Frank TR	94 in.	TR	100% Polyester	0.010	105g/sqm	N	N
JA-HER-15XXXX DO	110 in.	Dim-Out	100% Polyester	0.016	260g/sqm	N	N
JA-HER-15XXXX TR	110 in.	TR	100% Polyester	0.098	150g/sqm	N	N
JA-Louis	94 in.	TR	100% Polyester	0.010	105g/aqm	Y	Y
JA-Natking TR	94 in.	TR	100% Polyester	0.010	105g/sqm	N	N
JA-Nina TR	94 in.	TR	100% Polyester	0.010	105g/sqm	n/a	n/a
JA-Ray TR	94 in.	TR	100% Polyester	0.010	105g/sqm	n/a	n/a
JA-UNT-15XXXX BO	110 in.	BO	100% Polyester	0.015	300g/sqm	n/a	n/a
JA-UNT-15XXXX DO	78 in.	TR	100% Polyester	0.010	150g/sqm	n/a	n/a
Linen 5100	79 in.	TR	90% Polyester / 10% LIN	0.012	340g/sqm	N	N
Lyon TR	94 in.	TR	83% Polyester / 17% Metal Yarn	0.35mm	140 g/m2	N	N
Miamo BO	110 in.	Blackout	100 Polyester	0.024	13.57	Y	Y
Muenchen BO	79, 110 in.	Blackout	100% Polyester	0.016	9.45	Y	Y
Muenchent TR	79, 110 in.	TR	100% Polyester	0.012	5.31	Y	Y
Natal BO	98 in.	Blackout	100% Polyester	0.026	12.42	Y	Y
Natal TR	98 in.	TR	100% Polyester	0.020	7.11	Y	Y



Sorina® Roller Shades

Fabric Information

Coulisse Fabric Specifications Continued

Fabric Style	Fabric Width	Openness	Composition	Thickness (in.)	Weight (oz/yd2)	Railroad Y/N	Railroad + Seam Y/N
Paris	94 in.	TR	100% Polyester	0.019	8.28	Y	Y
PR-12308 TR	76 in.	TR	100% Polyester	0.008	170g/sqm	n/a	n/a
PR 79886	94 in.	Blackout	100% Polyester	0.015	N/A	N	N
RP-Billie TR	78 in.	TR	100% Polyester	0.012	128g/sqm	n/a	n/a
PRF 90087	94 in.	Blackout	100% Polyester	0.015	N/A	N	N
Richmond TR	118 in.	TR	100% Polyester Trevira CS	0.021	180g/sqm	n/a	n/a
SA-1443X BO	78 in.	BO	100% Polyester Satin	0.017	280g/sqm	n/a	n/a
SA-1443X TR	78 in.	TR	100% Polyester Satin	0.010	160g/sqm	n/a	n/a
SA 69754	79 in.	Dim Out	100% Polyester	0.017	N/A	N	N
SA-69764 TR	78 in.	TR	100% Polyester	0.010	160g/sqm	n/a	n/a
SAF 90056	79 in.	Blackout	100% Polyester	0.017	N/A	N	N
SAF 90069 BO	79 in.	Blackout	100% Polyester	0.010	N/A	N	N
SAF 90069 DO	79 in.	Dim Out	100% Polyester	0.010	N/A	N	N
Salvador	94 in.	TR	100% Polyester Trevira CS	0.010	4.32	Y	N
Santiago BO	110 in.	Blackout	100% Polyester	0.024	14.16	Y	Y
SCA5-Linen	98 in.	TR	100% Polyester	0.022	420g/sqm	N	N
SCA-JA-ULT-Stones	98 in.	TR	100% Polyester	0.016	300g/sqm	N	N
SCA-JA-ULT-Honey	98 in.	TR	100% Polyester	0.016	300g/sqm	N	N
SCA-JA-ULT-Circles	98 in.	TR	100% Polyester	0.016	300g/sqm	N	N
Scale TR	94 in.	TR	100% Polyester	0.016	160g/sqm	N	N
SCP 5	98 in.	5%	22" Polyester 78" PVC	0.035	490g/sqm	Y	Y
SCP 7	98 in.	5%	22" Polyester 78" PVC	0.035	565g/sqm	Y	Y
SCP-CO-ULT-CX TR	98 in.	TR	70% PVC 30% Polyester	0.027	450g/sqm	n/a	n/a
SCP-JA-ULT-00X	98 in.	TR	70% PVC 30% Polyester	0.038	475g/sqm	n/a	n/a
SCR-1003	98 in.	3%	30% Polyester 70% PVC	0.024	12.39	Y	Y
SCR-3001	98 in.	1%	30% Polyester 70% PVC	0.027	14.16	Y	Y
SCR-3003	79, 98, 118 in.	3%	30% Polyester 70% PVC	0.023	13.86	Y	Y
SCR-3005	79, 98, 118 in.	5%	30% Polyester 70% PVC	0.022	12.09	Y	Y
SCR-3010	98 in.	10%	30% Polyester 70% PVC	0.020	10.03	Y	Y
SCR-5001	98 in.	1%	24% Polyester 76% PVC	0.036	18.43	Y	Y
TC-79886 TR	76 in.	TR	100% Polyester	0.013	185g/sqm	n/a	n/a
TRS-123XX TR	78 in.	TR	100% Polyester	0.015	170g/sqm	n/a	n/a
Winchester	118 in.	TR	100% Polyester Trevira CS	0.020	170g/sqm	Y	Y

Coulisse Nature Fabric Specifications

Fabric Style	Fabric Width	Openness	Composition	Thickness (in.)	Weight (oz/ yd2)	Railroad Y/N	Railroad + Seam Y/N
Bali	78 in.	5%	22" Polyester 78" PVC	0.035	6.2	N	N
Beijing	70, 94 in.	5%	22" Polyester 78" PVC	0.035	6.0	N	N
Bombay	94 in.	TR	67% PAP / 33% PES	121 mm	305g/sqm	N	N
Gunsang	78 in.	TR	100% Polyester Trevira CS	n/a	7.0	N	N
Gunsang Spangle	78 in.	TR	78% PAP / 22% PES	0.7mm	7.0	N	N
Hong Kong	71 in.	TR	71% PAP / 29% PES	0.7mm	9.2	N	N
Java	78 in.	TR	73% PAP / 12% JUT / 15% PEP	1.17mm	9.4	N	N
Jinju	78 in.	TR	19% PAP / 72% PES	1.1mm	9.8	N	N
Kowloon	70 in.	TR	67% JUT / 33% PES	0.7mm	5.9	N	N
Lin	70 in.	TR	74% JUT / 26% PES	0.65mm	9.0	N	N
Osaka	72 in.	TR	81% PAP / 19% PES	.75mm	6.9	N	N
Pap1	70, 94 in.	TR	50% PAP / 40% JUT / 10% PES	0.6mm	5.9	N	N
Pap2-7	70, 94 in.	TR	82% PAP / 18% PES	0.65mm	6.0	N	N
Puket	70 in.	TR	81.3% PAP / 18.7% PES	1.22mm	7.3	N	N
Saigon	94 in.	TR	81.3% PAP / 18.7% PES	1.22mm	8.4-9.5	N	N
Sapporo	78 in.	TR	90.5% PAP / 9.5% PES	0.75mm	6.9	N	N
Shanghai	70 in.	TR	67% JUT / 33% PES	0.7mm	7.6	N	N
Suzuka	78 in.	TR	64% PAP / 36% PES	0.8mm	8.2	N	N
Tokio	78 in.	TR	67% PAP / 33% PES	0.6mm	5.9	N	N

JM Fabric Specifications

Fabric Style	Fabric Width	Openness	Composition	Thickness (in.)	Weight (oz/ yd2)	Railroad Y/N	Railroad + Seam Y/N
Carina	78 in.	TR	100% Polyester	0.015	175 g/sqm	Y	N
Lima BO	94 in.	BO	100% Polyester	0.019	340 g/sqm	Y	N
Lima TR	94 in.	TR	100% Polyester	0.017	200 g/sqm	Y	N



Sorina® Roller Shades

Fabric Information

Mermet Fabric Specifications

Fabric Style	Fabric Width	Openness	Composition	Thickness (in.)	Weight (oz/ yd2)	Railroad Y/N	Railroad + Seam Y/N
A-Screen	98 in.	14%	36% Fiberglass / 64% Vinyl - Warp 42% / 58% Vinyl - Weft	0.021	10.4	Y	Y
Avila Twilight	118 in.	Blackout	37.5% Polyester 62.5% Acrylic Foam Backing PVC Free	0.020	14.5	Y	N
Avila Twilight FR	118 in.	Blackout	37.5% Polyester 62.5% Acrylic	0.020	13.33	Y	N
Deco Screen	98 in.	5%	36% Fiberglass 64% Vinyl	0.020	11.3	Y	N
E-Screen	98, 122 in.	1%	36% Fiberglass 64% Vinyl	0.020	13.3	Y	Y
E-Screen	98, 122 in.	3%	36% Fiberglass 64% Vinyl	0.017	11.6	Y	Y
E-Screen	98, 122 in.	5%	36% Fiberglass 64% Vinyl	0.016	10.7	Y	Y
E-Screen	98, 122 in.	10%	36% Fiberglass 64% Vinyl	0.020	10.3	Y	Y
E-Screen Chroma	94.5 in.	3%	36% Fiberglass 64% Vinyl	0.020	11.92	Y	Y
E-Screen KOOLBLACK	98, 122 in.	1%	36% Fiberglass 64% Vinyl	0.021	12.95	Y	Y
E-Screen KOOLBLACK	98, 122 in.	3%	36% Fiberglass 64% Vinyl	0.020	11.3	Y	Y
E-Screen KOOLBLACK	98, 122 in.	5%	36% Fiberglass 64% Vinyl	0.019	10.3	Y	Y
Flocke	94.5 in.	Blackout	42% Fiberglass 51% Acrylic 7% Cotton Flocked Backing PVC Free	0.021	14.7	Y	Y
GreenScreen Reflect	94.5 in.	5%	100% Fiberglass Halogen-free aluminum coating	0.008	4.72	N	N
M-Screen	98, 122 in.	3%	36% Fiberglass 64% Vinyl	0.022	12.7	Y	Y
M-Screen	98, 122 in.	5%	36% Fiberglass 64% Vinyl	0.022	11.3	Y	Y
Natte	98 in.	12%	42% Fiberglass 58% Vinyl	0.021	13.9	Y	Y
R-Screen	98 in.	5%	36% Fiberglass 64% Vinyl	0.017	9.6	Y	Y
Satine	98 in.	5%	42% Fiberglass 58% Vinyl	0.030	15.5	Y	Y
S-Screen	98, 122 in.	4%	33.6% Fiberglass 59.6% Vinyl 6.8" Polyester	0.037	18.9	N	N
T-Screen	98, 122 in.	3%	36% Fiberglass 64% Vinyl	0.025	11.6	N	N
T-Screen Deco	122 in.	3%	36% Fiberglass 64% Vinyl	0.028	12.98	Y	Y
T-Screen Deco	122 in.	5%	36% Fiberglass 64% Vinyl	0.028	11.89	Y	Y
T-Screen Naturals	122 in.	3%	36% Fiberglass 64% Vinyl	0.027	12.59	Y	N
T-Screen Naturals	122 in.	5%	36% Fiberglass 64% Vinyl	0.028	12.24	Y	N
T-Screen KOOLBLACK	98, 122 in.	1%	36% Fiberglass 64% Vinyl	0.024	13.54	Y	Y
T-Screen KOOLBLACK	98, 122 in.	3%	36% Fiberglass 64% Vinyl	0.029	13.27	Y	Y
T-Screen KOOLBLACK	98, 122 in.	5%	36% Fiberglass 64% Vinyl	0.027	12.48	Y	Y
Vienne	98 in.	10%	42% Fiberglass 58% Vinyl	0.021	11.6	Y	Y
Vizela	94.5 in.	1%	100% Fiberglass EVA Coating PVC Free	0.013	8.7	Y	Y



Phifer Fabric Specifications

Fabric Style	Fabric Width	Openness	Composition	Thickness (in.)	Weight (oz/ yd2)	Railroad Y/N	Railroad + Seam Y/N
1000	96 in.	25%	35% Fiberglass 65% Vinyl on Fiberglass	0.020	8.8	N	N
2000	98, 126 in.	5%	37% Fiberglass 63% Vinyl on Fiberglass	0.019	14.26	Y	Y
2100	98 in.	10%	37% Fiberglass 63% Vinyl on Fiberglass	0.020	12.4	Y	Y
2360	98 in.	10%	35% Fiberglass 65% Vinyl on Fiberglass	0.017	10.5	Y	Y
2390	98, 126 in.	5%	35% Fiberglass 65% Vinyl on Fiberglass	0.017	11.8	Y	Y
2410	98, 126 in.	3%	35% Fiberglass 65% Vinyl on Fiberglass	0.019	14.1	Y	Y
2500	98, 126 in.	1%	37% Fiberglass 63% Vinyl on Fiberglass	0.024	16.25	Y	Y
2701	98, 126 in.	1%	36% Fiberglass 64% Vinyl on Fiberglass	0.027	14.06	Y	Y
2703	98, 126 in.	3%	36% Fiberglass 64% Vinyl on Fiberglass	0.028	14.0	Y	Y
2705	98, 126 in.	5%	34% Fiberglass 66% Vinyl on Fiberglass	0.025	11.8	Y	Y
2710	98 in.	10%	34% Fiberglass 66% Vinyl on Fiberglass	0.025	10.4	Y	Y
3000	96 in.	14%	35% Fiberglass 65% Vinyl on Fiberglass	0.028	13.46	N	N
4000	98, 126 in.	5%	25% Polyester 75% Vinyl on Polyester	0.036	19.2	Y	Y
4100	98 in.	10%	25% Polyester 75% Vinyl on Polyester	0.035	17.5	Y	Y
4400	98, 126 in.	3%	25% Polyester 75% Vinyl on Polyester	0.037	20.7	Y	Y
4500	98 in.	5%	17% Polyester 83% Vinyl on Polyester	0.024	14.4	Y	Y
4550	98 in.	5%	17% Polyester 83% Vinyl on Polyester	0.025	12.5	Y	Y
4600	98 in.	3%	22% Polyester 78% Vinyl on Polyester	0.030	17.4	Y	Y
4650	98 in.	3%	17% Polyester 83% Vinyl on Polyester	0.026	13.3	Y	Y
4800	96, 126 in.	1%	24% Polyester 76% Vinyl on Polyester	0.036	18.5	Y	Y
4901	98 in.	1%	17% Polyester 83% Vinyl	0.028	16.2	Y	Y
4903	98 in.	3%	17% Polyester 83% Vinyl	0.027	14.9	Y	Y
5000	98 in.	10%	28% Polyester 72% Vinyl on Polyester	0.038	14.5	N	N
7000	94, 118 in.	Opaque	100% Polyester with Acrylic Foamed Backing (PVC-Free)	0.026	13.41	Y	Y
7100	63, 96 in.	Opaque	Vinyl-coated fiberglass fabric laminated with two-ply 100% PVC blackout film	0.023	19.8	Y	Y
7200R	118 in.	Opaque	100% Polyester with Acrylic Foamed Backing	0.024	11.06	Y	Y
7250R			100% Polyester with Acrylic Coating	0.018	6.19	Y	Y
7400	118 in.	Opaque	100% Polyester with Acrylic Foamed Backing	0.029	12.53	N	N
7450	118 in.	Light Filtering	100% Polyester with Acrylic Coating	0.0118	6.19	N	N
7500	98, 118 in.	Opaque	100% Polyester with Acrylic Coating	0.014	12.14	Y	Y
7500R	118 in.	Opaque	100% Polyester w/ Acrylic Coating	0.014	12.14	Y	Y

Phifer Fabric Specifications Continued

Fabric Style	Fabric Width	Openness	Composition	Thickness (in.)	Weight (oz/ yd2)	Railroad Y/N	Railroad + Seam Y/N
7600	118 in.	Opaque	45% Polyester 55% Acrylic Foamed Backing	0.020	11.8	N/A	N/A
7650	118 in.	LF	100% Polyester	0.014	6.2	N/A	N/A
7700R	118 in.	Opaque	110% Polyester w/ Acrylic foamed Backing	0.026	12.09	N/A	N/A
7750R	118 in.	LF	100% Polyester w/ Acrylic Backing	0.012	7.37	N/A	N/A
8000	118 in.	3%	100% Polyester	0.019	6.34	N/A	N/A
Basic	98 in.	3%	38% Fiberglass 62% Vinyl on Fiberglass	0.025	16.4	Y	Y
Basic	98 in.	5%	38% Fiberglass 62% Vinyl on Fiberglass	0.022	14.4	Y	Y
Performance+ 2390	96 in.	5%	34% Fiberglass 64% Vinyl on Fiberglass 2% Aluminum Coating	0.018	11.8	Y	Y
Performance+ 2410	96 in.	3%	34% Fiberglass 64% Vinyl on Fiberglass 2% Aluminum Coating	0.019	14.1	Y	Y
Performance+ 2500	96 in.	1%	34% Fiberglass 64% Vinyl on Fiberglass 2% Aluminum Coating	0.024	16.39	Y	Y
Infinity2	98 in.	1%	100% TPO 20% TPO fiber yarn/80% TPO coating on TPO yarn	0.033	14.63	Y	N

Rollease Acmeda

Fabric Style	Fabric Width	Openness	Composition	Thickness (in.)	Weight (oz/ yd2)	Railroad Y/N	Railroad + Seam Y/N
EnviroScreen	94.5 in.	2%	100% Polyester with Aluminum Backing	0.020	7.37	N	N
Green Karuna	78.7 in.	TR	100% Recycled Polyester	0.022	5.6	N	N

SB2 Fabric Specifications

Fabric Style	Fabric Width	Openness	Composition	Thickness (in.)	Weight (oz/ yd2)	Railroad Y/N	Railroad + Seam Y/N
Essential BO	118 in.	BO	100% Polyester with Acrylic Coating	0.013	11.8	Y	Y
Ice	94 in.	20%	100% Polyester	0.013	123 g/sqm	N	N
Ice Board	94 in.	20%	100% Polyester	0.015	143g/sqm	N	N
Meridian BO	118 in.	BO	100% Polyester	0.020	420 g/sqm	Y	n/a
Palm Beach LF	118 in.	Light Filtering	100% Polyester with Acrylic Coating	0.021	325 g/sqm	Y	Y
Palm Beach BO	94, 118 in.	Blackout	100% Polyester with Foamed Floaked Acrylic Backing	0.026	450 g/sqm	Y	Y
Senscreen	118 in.	1%	30% Polyester 70% PVC	0.026	480 g/sqm	Y	Y
Senscreen	118 in.	3%	30% Polyester 70% PVC	0.023	460 g/sqm	Y	Y
Senscreen	118 in.	5%	30% Polyester 70% PVC	0.020	430 g/sqm	Y	Y
Woodlands	118 in.	BO	100% Polyester with Acrylic Coating	0.024	480 g/sqm	N	N



Turnils Specifications

Fabric Style	Fabric Width	Openness	Composition	Thickness (in.)	Weight (oz/ yd2)	Railroad Y/N	Railroad + Seam Y/N
Fine Line	94 in.	Sheer	100% Polyester	0.013	3.6	N	N
Fury	118 in.	Sheer	100% Trevira CS	0.013	2.95	N	N
Kiana	94 in.	TR	100% Polyester	0.021	7.93	N	N
Linen Light BO	94 in.	BO	100% Polyester	0.019	9.1	n/a	n/a
Linen Light TR	94 in.	TR	100% Polyester	0.017	5.9	Y	n/a
Macau	94 in.	n/a	100% Polyester with Acrylic Coating	0.026	7.32	N	N
Nordic Screen + Twill	118 in.	1%	70% PVC 30% Polyester	0.026	15.6	N	N
Nordic Screen + Twill	118 in.	3%	76% PVC 24% Polyester	0.025	14.7	N	N
Regal	110 in.	3%	100% Polyester	0.026	13.4	N	N
Oslo	110 in.	BO	100% Polyester	0.026	8.9	N	N

Vertilux Specifications

Fabric Style	Fabric Width	Openness	Composition	Thickness (in.)	Weight (oz/ yd2)	Railroad Y/N	Railroad + Seam Y/N
3000 Screen	98, 118 in.	1%	30% PES / 70% PVC	0.024	480 g/sqm	Y	Y
3000 Screen	98, 118 in.	3%	30% PES / 70% PVC	0.023	440 g/sqm	Y	Y
3000 Screen	98, 118 in.	5%	30% PES / 70% PVC	0.022	420 g/sqm	Y	Y
3000 Screen	98, 118 in.	10%	30% PES / 70% PVC	0.019	410 g/sqm	Y	Y
3000 Blackout	98, 118 in.	BO	22% PES / 50% PVC / 28% Foam Backing	0.022	580 g/sqm	Y	Y
Sunset BO	118 in.	BO	100% PES	0.019	400 g/sqm	Y	Y

Wilson Specifications

Fabric Style	Fabric Width	Openness	Composition	Thickness (in.)	Weight (oz/ yd2)	Railroad Y/N	Railroad + Seam Y/N
Aspen BO	110 in.	BO	100% Polyester	n/a	350 g/sqm	n/a	n/a
Boston II BO	110, 118 in.	BO	100% Polyester	n/a	420 g/sqm	n/a	n/a
Boston II TR	110, 118 in.	TR	100% Polyester	n/a	165 g/sqm	n/a	n/a
Broome II BO	110, 118 in.	BO	100% Polyester	n/a	380 g/sqm	n/a	n/a
Broome II TR	110, 118 in.	TR	100% Polyester	n/a	165 g/sqm	n/a	n/a
Buxton BO	110 in.	BO	98% Polyester / 2% Nylon	n/a	370 g/sqm	n/a	n/a
Concord II BO	110, 118 in.	BO	80% Polyester / 20% Cotton	n/a	380 g/sqm	n/a	n/a
Concord II TR	110, 118 in.	TR	80% Polyester / 20% Cotton	n/a	160 g/sqm	n/a	n/a
Fraser BO	110 in.	BO	100% Polyester	n/a	350 g/sqm	n/a	n/a
Husk TR	110 in.	TR	100% Polyester	n/a	94 g/sqm	n/a	n/a
Marley BO	110, 118 in.	BO	100% Polyester	n/a	370 g/sqm	n/a	n/a
Marley TR	110, 118 in.	TR	100% Polyester	n/a	190 g/sqm	n/a	n/a
Matrix BO	110, 118 in.	BO	100% Polyester	n/a	365 g/sqm	n/a	n/a
Matrix TR	110, 118 in.	TR	100% Polyester	n/a	185 g/sqm	n/a	n/a
Mercury II BO	110, 118 in.	BO	100% Polyester	n/a	365 g/sqm	n/a	n/a
Mercury II TR	110, 118 in.	TR	100% Polyester	n/a	185 g/sqm	n/a	n/a
Moma BO	110, 118 in.	BO	100% Polyester	n/a	380 g/sqm	n/a	n/a
Moma TR	110, 118 in.	TR	100% Polyester	n/a	170 g/sqm	n/a	n/a
Tuscany II BO	110, 118 in.	BO	100% Polyester	n/a	400 g/sqm	n/a	n/a
Tuscany II TR	110, 118 in.	TR	100% Polyester	n/a	205 g/sqm	n/a	n/a



Sorina[®] Roller Shades

Fabric Information



Sorina® Roller Shades

System Specifications

Manual Roller Shade System Specifications

System	Tube Size	Max. Width	Max Drop	Max Weight	Fascia Size
Small	1.5 in.	72 in.	96 in.	8 lbs.	3 in. or 4 in.
Medium	2 in.	108 in.	144 in.	16 lbs.	4 in.
Large	2.5 in.	156 in.	204 in.	18 lbs.	4 in.

Motorized Roller Shade System Specifications

System	Motor Desc	Part#	AC/DC	Wattage	Torque	Maximum Weight	Speed/ RPM	Amperage	db rating	Limit Type	Built-in RF	Built-in Dry Contact	Max number of Turns	Motor Diameter	Motor Length
Small	BTX 25E RF	101.8801	12V DC Battery	6.6 W	0.8 Nm	7 lbs.	30 rpm	550 mA	45 db	Electronic	Yes	N/A	Unlimited	25 mm	11.75 in.
	BTX 35QE RF	101.8802	110V AC		3 Nm	35 lbs.			33db	Electronic	Yes	Yes	Unlimited	35 mm	
	Somfy R28 RTS	101.9411	12V DC Battery	16 W	1.1 Nm	10 lbs.	28 rpm	2 A	48-56 db	Electronic	Yes	N/A	110	29 mm	13.22 in.
	Somfy R28 RTS Li-ion														
	Somfy ST30 Quiet RTS	101.9530	24V DC	20 W	2 Nm	20 lbs.	6 - 28 rpm	0.8 A	44 db	Electronic	Yes	N/A	35	29 mm	16 in.
	Somfy ST30 DCT	101.9530	24V DC	20 W	2 Nm	20 lbs.	6 - 28 rpm	0.8 A	44 db	Dry Contact	N/A	Yes	35	29 mm	16 in.
	Somfy ST30 RS485	101.9530	24V DC	20 W	2 Nm	20 lbs.	6 - 28 rpm	0.8 A	44 db	Digital	N/a	Yes	35	29 mm	16 in.
	ST30 Quiet RTS Li-ion														
	ST40 Quiet RTS														
	Rollease Q1.1	101.7001	12V DC	10 W	1.1 Nm	10 lbs.	20 rpm	0.8 A	46 db	Electronic	Yes	N/A	Unlimited	25 mm	17.5 in.
	Rollease Q2.0	101.7002	12V DC	15 W	2 Nm	15 lbs.	20 rpm	1.25 A	44 db	Electronic	Yes	N/A	Unlimited	28 mm	17.21 in.

System	Motor Desc	Part#	AC/DC	Wattage	Torque	Maximum Weight	Speed/ RPM	Amperage	db rating	Limit Type	Built-in RF	Built-in Dry Contact	Max number of Turns	Motor Diameter	Motor Length
	BTX 45QE RF	101.8803	110V AC	130W	6 Nm	50 lbs	33 rpm	1.1 A	33 db	Electronic	Yes	Yes	Unlimited	45 mm	27.75 in.
	BTX 45QE RF Li-ion														
	Tumo DC RF	101.9215	24V DC	25 W	2.5 Nm	20 lbs.	25 rpm	0.8 A	33 db	Electronic	Yes	Yes	N/A	45 mm	20.5 in.
	Tumo DC 2-Wire	101.9220	24V DC	30 W	2.5 Nm	20 lbs.	25 rpm	1 A	35 db	Mechanical	No	No	32	45 mm	20.75 in.
	Somfy ST50 Quiet RTS														
	Somfy ST50 Quiet RTS ULTRA AC														
	Somfy ST50 Quiet RTS ULTRA DC														
	Rollease Q3.0	101.7003	12V DC	20 W	3 Nm	25 lbs.	20 rpm	1.7 A	40 db	Electronic	Yes	No	Unlimited	45 mm	32 in.

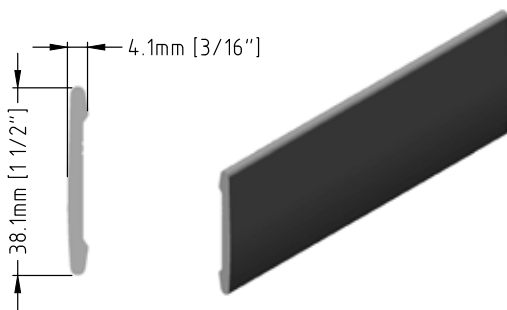
Inside Mount Hanging Valance



The Classic Inside Mount Shade Valance is approximately 8" in height and mounted to a header wood board which is easily installed into the top of the window frame. This is only available as an inside mount valance.

- Available with all fabrics
- Mounted on a 1" x 3/4" header
- Optional 3-1/2" deep header available upon request at no additional charge.
- Fabric is sealed with a 2" pocket and metal internal bottom bar
- Side returns are not available

Internal Bottom Bar 323.1036



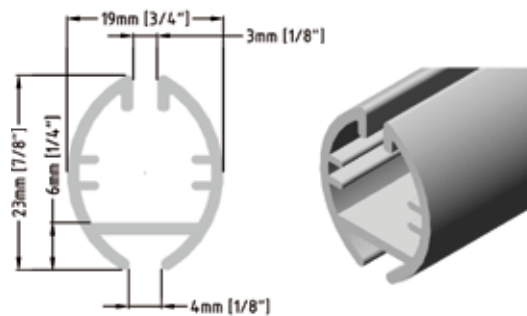
- Standard Roller Shade Bottom Bar
- Max length is 16 ft.
- Bar height is 1.5 in.
- Used inside sealed bottom pocket with sides sealed

Available Colors



Aluminum

Exterior Bottom Bar 315.20XX



- Max length is 12 ft.
- Uses Bottom Bar End Caps (250.20XX)
- Used as an alternative to standard interior bottom bar (323.1036)

Available Colors



White



Aluminum

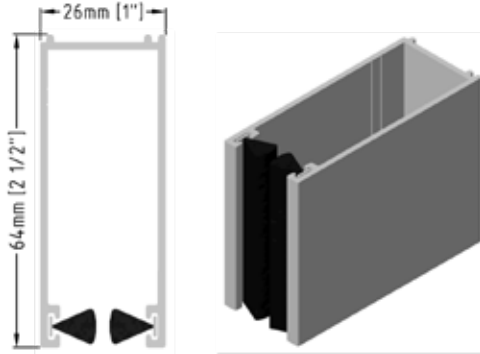


Dark Bronze



Vanilla

Side/Sill Channel 318.10XX

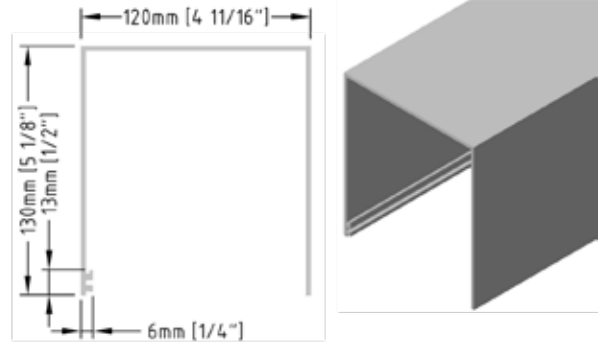


- Comes with grey felt insert
- Max length is 20 ft.
- Used on each side of the window and/or at the bottom sill for light blockage

Available Colors



Pocket 321.6100.X

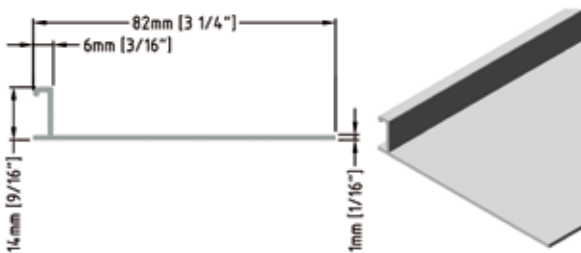


- Max length is 16 ft.
- Compatible with Closure (321.6200.X)

Available Colors



Closure 321.6200.X

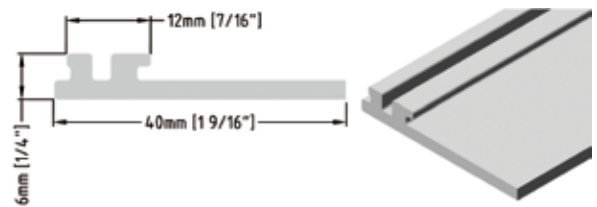


- Max length is 16 ft.
- Compatible with Pocket (321.6100.X)

Available Colors



Hanger 322.6100.X

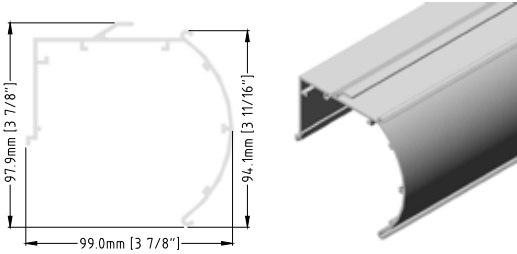


- Max length is 16 ft.
- Compatible with Closure (321.6200.X)

Available Colors



Cassette 120 309.2000.X

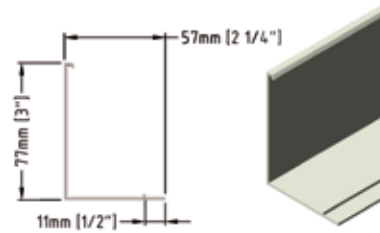


- Max length is 16 ft.
- Compatible with Sorina Small (manual and motorized) and Sorina Medium (manual) Roller Shades

Available Colors



3 in. Square Fascia 316.30XX

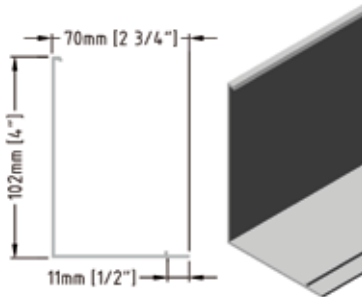


- Max length is 16 ft.
- Requires 3 in. fascia brackets (236.31XX)
- Compatible with Sorina Small Roller Shades

Available Colors



4 in. Square Fascia 316.40XX



- Max length is 16 ft.
- Requires 4 in. fascia brackets (236.40XX)
- Compatible with Sorina Small and Medium Roller Shades

Available Colors





The Sorina S systems are available in both manual and motorized options and are designed for smaller, lightweight applications. Utilizing low profile hardware and a wide range of fabrics and accessories, Sorina S systems bring a modern touch to any interior.



S Class (Small) Manual Roller Shade System

- Max size: 6 ft. by 8 ft. *(depending on fabric weight)*
- 1.5 in. tube and bracket system
- 3 in. or 4 in. fascia options
- Cassette with fabric wrap options



S Class (Small) Motorized Roller Shade System

- DC and Battery Motorized system with power supply
- Small HD option available with 110V AC motor and HD tube
- HD tube available up to 8 ft.
- Max size: 6 ft. by 8 ft. *(depending on fabric weight)*
- Max lifting capacity: 6 lbs.
- 1.5 in. tube and bracket system
- 3 in. or 4 in. fascia options
- Cassette with fabric wrap options

What comes with the standard grid price?

Your BTX Intelligent Fashion Sorina S Roller Shade System comes with:

- Fully fabricated manual Roller Shade system, built to your exact specifications
- Stainless Steel bead chain
- 1.5 in. hook mounting clutch and bracket system
- Fabric listed for the selected grid
- Sealed internal bottom bar (Depending on fabric. Some fabrics cannot use sealed bottom bar)

Important information regarding this system:

- Motorized systems are available as an upcharge.
(See product options and surcharges at the bottom of each pricing page)
- Control devices for motorized systems are sold separately! Please specify whether you want a handsender, wall switch, or other control method.
- Additional peripherals may be required based on your control scenario
- Please be prepared to answer the following questions about your system:
 - Clutch or Motor Side (left or right)
 - Roll direction (standard front roll or reverse roll)
 - Hardware color (white, vanilla, silver, or bronze)
 - How would you like the systems programmed, if motorized (we do program and test everything before shipping!)
 - Do you need any additional accessories like fascia, side channel, etc. for an upcharge.
- Railroading may be necessary based on size.
- Not all fabrics can be railroaded.
- If you require a larger size, you may need to move up to a Sorina M, Sorina L, or Sorina XL class shade.
- Contact the factory for coupled shades.
- If you have a preference on packaging method (box or crate), please specify, otherwise we will select the safest and most economical method.



Sorina S Manual Retail Pricing

HEIGHT		WIDTH							
		Feet		1 ft.	2 ft.	3 ft.	4 ft.	5 ft.	6 ft.
		Inches		12 in.	24 in.	36 in.	48 in.	60 in.	72 in.
HEIGHT	1 ft.	12 in.	\$70	\$87	\$105	\$123	\$141	\$159	
	2 ft.	24 in.	\$73	\$94	\$115	\$136	\$157	\$178	
	3 ft.	36 in.	\$76	\$101	\$125	\$149	\$174	\$198	
	4 ft.	48 in.	\$79	\$107	\$135	\$163	\$191	\$218	
	5 ft.	60 in.	\$83	\$114	\$145	\$176	\$207	\$238	
	6 ft.	72 in.	\$86	\$121	\$155	\$189	\$224	\$258	
	7 ft.	84 in.	\$89	\$127	\$165	\$203	\$240	\$278	
	8 ft.	96 in.	\$93	\$134	\$175	\$216	\$257	\$298	

Surcharges

Feet	1 ft.	2 ft.	3 ft.	4 ft.	5 ft.	6 ft.
Inches	12 in.	24 in.	36 in.	48 in.	60 in.	72 in.
3 in. Fascia	\$65	\$75	\$85	\$95	\$105	\$115
Cassette	\$35	\$70	\$105	\$140	\$175	\$210
Sill Channel	\$15	\$30	\$45	\$60	\$75	\$90
Sill Angle	\$8	\$16	\$24	\$32	\$40	\$48
Shade Pocket	\$100	\$125	\$150	\$175	\$200	\$225
Pocket Hanger	\$10	\$20	\$30	\$40	\$50	\$60
Pocket Closure	\$15	\$30	\$45	\$60	\$75	\$90
External Hembar	\$0	\$0	\$0	\$0	\$0	\$0
Hanging Valance	\$30	\$60	\$90	\$120	\$150	\$180

Note: Cassette can come with or without fabric wrap.

Note: Hanging valances are not available with returns.

Note: HD tube upgrade is required for BTX 35QE RF and ST40. HD tube is available up to 8-feet for designated motors. Call factory for specifics.

Product Options and Surcharges

Motor Options

BTX 25E RF Motor with Battery Wand	\$385
BTX 35QE RF*	\$485
Somfy R28 with Battery Wand*	\$600
Somfy R28 RTS Li-ion WireFree (charger sold separately)*	\$600
Somfy ST30 Quiet RTS with Transformer*	\$935
Somfy ST30 DCT with Transformer*	\$850
Somfy ST30 RS485 with Transformer*	\$1,075
Somfy ST30 RTS Li-ion Wirefree (charger sold separately)*	\$650
Somfy ST40 Quiet RTS*	\$800
Rollease 1.1 Li-ion Rechargeable Battery	\$625
Rollease 1.1 Plug-in*	\$825
Rollease Q2.0 Li-ion Rechargeable Battery*	\$700
Rollease Q2.0 Plug-in*	\$900

Control Options

BTX Controls	
BTX Handsender 1 or 6-Channel White	\$125
BTX Wireless Wallswitch (2-Ch or 5-Ch)	\$150
BTX SmartConnect RS-232 Interface	\$350
Somfy Controls	
Somfy Situo RTS 1-Channel White	\$175
Somfy Situo RTS 5-Channel White	\$250
Somfy Telis RTS 1-Channel Pure	\$150
Somfy Telis RTS 5-Channel Pure	\$200
Somfy Telis RTS 1-Channel Silver or Lounge	\$275
Somfy Telis RTS 5-Channel Silver or Lounge	\$300
Somfy Decoflex 1-Channel Pure	\$350
Somfy Decoflex 5-Channel Pure	\$375
Somfy Battery Tube, 12V, Reloadable	\$75

Control Options

Rollease Controls	
Rollease Recharger	\$100
Rollease Q2.0/3.0 Power Supply	\$250
Rollease 5-Channel Surface Mount Switch	\$150
Rollease 15-Channel Cut-in Switch	\$150
Rollease 1-Channel Cut-in Switch	\$150
Rollease Handsender Push 5-Channel Matte Black	\$200
Rollease Handsender Push 5-Channel Gloss White	\$200
Rollease Handsender 15-Channel White	\$170
Rollease Handsender 1-Channel White	\$150
Misc. Controls	
Extended Power Lead	\$30/foot

Hardware Options

Side Channel (Both Sides)	\$30/foot
Heavy Duty Tube	\$10/foot
Coulisse Absolute 2.0 Bracket System Upgrade	\$100

*Available for HD tube upgrade

Fabric List [\(See fabric index page 31-32 for Fabric Grid listing\)](#)



Sorina® S Shades

Price Grid 2

Sorina S Manual Retail Pricing

HEIGHT		WIDTH						
		1ft.	2 ft.	3 ft.	4 ft.	5 ft.	6 ft.	
Feet	Inches	12 in.	24 in.	36 in.	48 in.	60 in.	72 in.	
1 ft.	12 in.	\$74	\$96	\$118	\$140	\$161	\$183	
2 ft.	24 in.	\$79	\$106	\$133	\$159	\$186	\$213	
3 ft.	36 in.	\$84	\$116	\$147	\$179	\$211	\$243	
4 ft.	48 in.	\$89	\$126	\$162	\$199	\$236	\$273	
5 ft.	60 in.	\$94	\$135	\$177	\$219	\$261	\$303	
6 ft.	72 in.	\$99	\$145	\$192	\$239	\$286	\$333	
7 ft.	84 in.	\$104	\$155	\$207	\$259	\$311	\$363	
8 ft.	96 in.	\$109	\$165	\$222	\$279	\$336	\$393	

Surcharges

Feet	1 ft.	2 ft.	3 ft.	4 ft.	5 ft.	6 ft.
Inches	12 in.	24 in.	36 in.	48 in.	60 in.	72 in.
3 in. Fascia	\$65	\$75	\$85	\$95	\$105	\$115
Cassette	\$35	\$70	\$105	\$140	\$175	\$210
Sill Channel	\$15	\$30	\$45	\$60	\$75	\$90
Sill Angle	\$8	\$16	\$24	\$32	\$40	\$48
Shade Pocket	\$100	\$125	\$150	\$175	\$200	\$225
Pocket Hanger	\$10	\$20	\$30	\$40	\$50	\$60
Pocket Closure	\$15	\$30	\$45	\$60	\$75	\$90
External Hembar	\$0	\$0	\$0	\$0	\$0	\$0
Hanging Valance	\$30	\$60	\$90	\$120	\$150	\$180

Note: Cassette can come with or without fabric wrap.

Note: Hanging valances are not available with returns.

Note: HD tube upgrade is required for BTX 35QE RF and ST40. HD tube is available up to 8-feet for designated motors. Call factory for specifics.

Product Options and Surcharges

Motor Options

BTX 25E RF Motor with Battery Wand.....	\$385
BTX 35QE RF*.....	\$485
Somfy R28 with Battery Wand*.....	\$600
Somfy R28 RTS Li-ion WireFree (charger sold separately)*.....	\$600
Somfy ST30 Quiet RTS with Transformer*.....	\$935
Somfy ST30 DCT with Transformer*.....	\$850
Somfy ST30 RS485 with Transformer*.....	\$1,075
Somfy ST30 RTS Li-ion WireFree (charger sold separately)*.....	\$650
Somfy ST40 Quiet RTS*.....	\$800
Rollese 1.1 Li-ion Rechargeable Battery.....	\$625
Rollese 1.1 Plug-in*.....	\$825
Rollese Q2.0 Li-ion Rechargeable Battery*.....	\$700
Rollese Q2.0 Plug-in*.....	\$900

Control Options

BTX Controls	
BTX Handsender 1 or 6-Channel White.....	\$125
BTX Wireless Wallswitch (2-Ch or 5-Ch).....	\$150
BTX SmartConnect RS-232 Interface.....	\$350
Somfy Controls	
Somfy Situo RTS 1-Channel White.....	\$175
Somfy Situo RTS 5-Channel White.....	\$250
Somfy Telis RTS 1-Channel Pure.....	\$150
Somfy Telis RTS 5-Channel Pure.....	\$200
Somfy Telis RTS 1-Channel Silver or Lounge.....	\$275
Somfy Telis RTS 5-Channel Silver or Lounge.....	\$300
Somfy Decoflex 1-Channel Pure.....	\$350
Somfy Decoflex 5-Channel Pure.....	\$375
Somfy Battery Tube, 12V, Reloadable.....	\$75

Control Options

Rollese Controls	
Rollese Recharger.....	\$100
Rollese Q2.0/3.0 Power Supply.....	\$250
Rollese 5-Channel Surface Mount Switch.....	\$150
Rollese 15-Channel Cut-in Switch.....	\$150
Rollese 1-Channel Cut-in Switch.....	\$150
Rollese Handsender Push 5-Channel Matte Black.....	\$200
Rollese Handsender Push 5-Channel Gloss White.....	\$200
Rollese Handsender 15-Channel White.....	\$170
Rollese Handsender 1-Channel White.....	\$150
Misc. Controls	
Extended Power Lead.....	\$30/foot

Hardware Options

Side Channel (Both Sides).....	\$30/foot
Heavy Duty Tube.....	\$10/foot
Coulisse Absolute 2.0 Bracket System Upgrade.....	\$100

*Available for HD tube upgrade

Fabric List (See fabric index page 31-32 for Fabric Grid listing)



Sorina S Manual Retail Pricing

HEIGHT		WIDTH					
		1ft.	2 ft.	3 ft.	4 ft.	5 ft.	6 ft.
Feet	Inches	12 in.	24 in.	36 in.	48 in.	60 in.	72 in.
	1 ft.	12 in.	\$78	\$104	\$130	\$156	\$182
2 ft.	24 in.	\$84	\$117	\$150	\$183	\$215	\$248
3 ft.	36 in.	\$91	\$131	\$170	\$209	\$249	\$288
4 ft.	48 in.	\$98	\$144	\$190	\$236	\$282	\$328
5 ft.	60 in.	\$104	\$157	\$210	\$262	\$315	\$368
6 ft.	72 in.	\$111	\$170	\$230	\$289	\$348	\$408
7 ft.	84 in.	\$118	\$184	\$250	\$316	\$382	\$448
8 ft.	96 in.	\$124	\$197	\$270	\$342	\$415	\$487

Surcharges

Feet	1 ft.	2 ft.	3 ft.	4 ft.	5 ft.	6 ft.
Inches	12 in.	24 in.	36 in.	48 in.	60 in.	72 in.
3 in. Fascia	\$65	\$75	\$85	\$95	\$105	\$115
Cassette	\$35	\$70	\$105	\$140	\$175	\$210
Sill Channel	\$15	\$30	\$45	\$60	\$75	\$90
Sill Angle	\$8	\$16	\$24	\$32	\$40	\$48
Shade Pocket	\$100	\$125	\$150	\$175	\$200	\$225
Pocket Hanger	\$10	\$20	\$30	\$40	\$50	\$60
Pocket Closure	\$15	\$30	\$45	\$60	\$75	\$90
External Hembar	\$0	\$0	\$0	\$0	\$0	\$0
Hanging Valance	\$30	\$60	\$90	\$120	\$150	\$180

Note: Cassette can come with or without fabric wrap.

Note: Hanging valances are not available with returns.

Note: HD tube upgrade is required for BTX 35QE RF and ST40. HD tube is available up to 8-feet for designated motors. Call factory for specifics.

Product Options and Surcharges

Motor Options

BTX 25E RF Motor with Battery Wand	\$385
BTX 35QE RF*	\$485
Somfy R28 with Battery Wand*	\$600
Somfy R28 RTS Li-ion WireFree (charger sold separately)*	\$600
Somfy ST30 Quiet RTS with Transformer*	\$935
Somfy ST30 DCT with Transformer*	\$850
Somfy ST30 RS485 with Transformer*	\$1,075
Somfy ST30 RTS Li-ion Wirefree (charger sold separately)*	\$650
Somfy ST40 Quiet RTS*	\$800
Rollease 1.1 Li-ion Rechargeable Battery	\$625
Rollease 1.1 Plug-in*	\$825
Rollease Q2.0 Li-ion Rechargeable Battery*	\$700
Rollease Q2.0 Plug-in*	\$900

Control Options

BTX Controls	
BTX Handsender 1 or 6-Channel White	\$125
BTX Wireless Wallswitch (2-Ch or 5-Ch)	\$150
BTX SmartConnect RS-232 Interface	\$350
Somfy Controls	
Somfy Situo RTS 1-Channel White	\$175
Somfy Situo RTS 5-Channel White	\$250
Somfy Telis RTS 1-Channel Pure	\$150
Somfy Telis RTS 5-Channel Pure	\$200
Somfy Telis RTS 1-Channel Silver or Lounge	\$275
Somfy Telis RTS 5-Channel Silver or Lounge	\$300
Somfy Decoflex 1-Channel Pure	\$350
Somfy Decoflex 5-Channel Pure	\$375
Somfy Battery Tube, 12V, Reloadable	\$75

Control Options

Rollease Controls	
Rollease Recharger	\$100
Rollease Q2.0/3.0 Power Supply	\$250
Rollease 5-Channel Surface Mount Switch	\$150
Rollease 15-Channel Cut-in Switch	\$150
Rollease 1-Channel Cut-in Switch	\$150
Rollease Handsender Push 5-Channel Matte Black	\$200
Rollease Handsender Push 5-Channel Gloss White	\$200
Rollease Handsender 15-Channel White	\$170
Rollease Handsender 1-Channel White	\$150
Misc. Controls	
Extended Power Lead	\$30/foot

Hardware Options

Side Channel (Both Sides)	\$30/foot
Heavy Duty Tube	\$10/foot
Coulisse Absolute 2.0 Bracket System Upgrade	\$100

*Available for HD tube upgrade

Fabric List [\(See fabric index page 31-32 for Fabric Grid listing\)](#)



Sorina® S Shades

Price Grid 4

Sorina S Manual Retail Pricing

		WIDTH					
		1ft.	2 ft.	3 ft.	4 ft.	5 ft.	6 ft.
HEIGHT	Feet	12 in.	24 in.	36 in.	48 in.	60 in.	72 in.
	1 ft.	\$82	\$112	\$142	\$173	\$203	\$233
	2 ft.	\$90	\$129	\$167	\$206	\$245	\$283
	3 ft.	\$99	\$145	\$192	\$239	\$286	\$333
	4 ft.	\$107	\$162	\$217	\$272	\$328	\$383
	5 ft.	\$115	\$179	\$242	\$306	\$369	\$433
	6 ft.	\$123	\$195	\$267	\$339	\$411	\$482
	7 ft.	\$132	\$212	\$292	\$372	\$452	\$532
	8 ft.	\$140	\$229	\$317	\$405	\$494	\$582

Surcharges

Feet	1 ft.	2 ft.	3 ft.	4 ft.	5 ft.	6 ft.
Inches	12 in.	24 in.	36 in.	48 in.	60 in.	72 in.
3 in. Fascia	\$65	\$75	\$85	\$95	\$105	\$115
Cassette	\$35	\$70	\$105	\$140	\$175	\$210
Sill Channel	\$15	\$30	\$45	\$60	\$75	\$90
Sill Angle	\$8	\$16	\$24	\$32	\$40	\$48
Shade Pocket	\$100	\$125	\$150	\$175	\$200	\$225
Pocket Hanger	\$10	\$20	\$30	\$40	\$50	\$60
Pocket Closure	\$15	\$30	\$45	\$60	\$75	\$90
External Hembar	\$0	\$0	\$0	\$0	\$0	\$0
Hanging Valance	\$30	\$60	\$90	\$120	\$150	\$180

Note: Cassette can come with or without fabric wrap.

Note: Hanging valances are not available with returns.

Note: HD tube upgrade is required for BTX 35QE RF and ST40. HD tube is available up to 8-feet for designated motors. Call factory for specifics.

Product Options and Surcharges

Motor Options

BTX 25E RF Motor with Battery Wand	\$385
BTX 35QE RF*	\$485
Somfy R28 with Battery Wand*	\$600
Somfy R28 RTS Li-ion WireFree (charger sold separately)*	\$600
Somfy ST30 Quiet RTS with Transformer*	\$935
Somfy ST30 DCT with Transformer*	\$850
Somfy ST30 RS485 with Transformer*	\$1,075
Somfy ST30 RTS Li-ion Wirefree (charger sold separately)*	\$650
Somfy ST40 Quiet RTS*	\$800
Rollese 1.1 Li-ion Rechargeable Battery	\$625
Rollese 1.1 Plug-in*	\$825
Rollese Q2.0 Li-ion Rechargeable Battery*	\$700
Rollese Q2.0 Plug-in*	\$900

Control Options

BTX Controls	
BTX Handsender 1 or 6-Channel White	\$125
BTX Wireless Wallswitch (2-Ch or 5-Ch)	\$150
BTX SmartConnect RS-232 Interface	\$350
Somfy Controls	
Somfy Situo RTS 1-Channel White	\$175
Somfy Situo RTS 5-Channel White	\$250
Somfy Telis RTS 1-Channel Pure	\$150
Somfy Telis RTS 5-Channel Pure	\$200
Somfy Telis RTS 1-Channel Silver or Lounge	\$275
Somfy Telis RTS 5-Channel Silver or Lounge	\$300
Somfy Decoflex 1-Channel Pure	\$350
Somfy Decoflex 5-Channel Pure	\$375
Somfy Battery Tube, 12V, Reloadable	\$75

Control Options

Rollese Controls	
Rollese Recharger	\$100
Rollese Q2.0/3.0 Power Supply	\$250
Rollese 5-Channel Surface Mount Switch	\$150
Rollese 15-Channel Cut-in Switch	\$150
Rollese 1-Channel Cut-in Switch	\$150
Rollese Handsender Push 5-Channel Matte Black	\$200
Rollese Handsender Push 5-Channel Gloss White	\$200
Rollese Handsender 15-Channel White	\$170
Rollese Handsender 1-Channel White	\$150
Misc. Controls	
Extended Power Lead	\$30/foot

Hardware Options

Side Channel (Both Sides)	\$30/foot
Heavy Duty Tube	\$10/foot
Coulisse Absolute 2.0 Bracket System Upgrade	\$100

*Available for HD tube upgrade

Fabric List (See fabric index page 31-32 for Fabric Grid listing)



Sorina S Manual Retail Pricing

HEIGHT		WIDTH					
		1ft.	2 ft.	3 ft.	4 ft.	5 ft.	6 ft.
Feet	Inches	12 in.	24 in.	36 in.	48 in.	60 in.	72 in.
1 ft.	12 in.	\$86	\$121	\$155	\$189	\$224	\$258
2 ft.	24 in.	\$96	\$140	\$185	\$229	\$274	\$318
3 ft.	36 in.	\$106	\$160	\$215	\$269	\$323	\$378
4 ft.	48 in.	\$116	\$180	\$245	\$309	\$373	\$438
5 ft.	60 in.	\$126	\$200	\$275	\$349	\$423	\$497
6 ft.	72 in.	\$136	\$220	\$304	\$389	\$473	\$557
7 ft.	84 in.	\$146	\$240	\$334	\$429	\$523	\$617
8 ft.	96 in.	\$156	\$260	\$364	\$468	\$573	\$677

Surcharges

Feet	1 ft.	2 ft.	3 ft.	4 ft.	5 ft.	6 ft.
Inches	12 in.	24 in.	36 in.	48 in.	60 in.	72 in.
3 in. Fascia	\$65	\$75	\$85	\$95	\$105	\$115
Cassette	\$35	\$70	\$105	\$140	\$175	\$210
Sill Channel	\$15	\$30	\$45	\$60	\$75	\$90
Sill Angle	\$8	\$16	\$24	\$32	\$40	\$48
Shade Pocket	\$100	\$125	\$150	\$175	\$200	\$225
Pocket Hanger	\$10	\$20	\$30	\$40	\$50	\$60
Pocket Closure	\$15	\$30	\$45	\$60	\$75	\$90
External Hembar	\$0	\$0	\$0	\$0	\$0	\$0
Hanging Valance	\$30	\$60	\$90	\$120	\$150	\$180

Note: Cassette can come with or without fabric wrap.

Note: Hanging valances are not available with returns.

Note: HD tube upgrade is required for BTX 35QE RF and ST40. HD tube is available up to 8-feet for designated motors. Call factory for specifics.

Product Options and Surcharges

Motor Options

BTX 25E RF Motor with Battery Wand	\$385
BTX 35QE RF*	\$485
Somfy R28 with Battery Wand*	\$600
Somfy R28 RTS Li-ion WireFree (charger sold separately)*	\$600
Somfy ST30 Quiet RTS with Transformer*	\$935
Somfy ST30 DCT with Transformer*	\$850
Somfy ST30 RS485 with Transformer*	\$1,075
Somfy ST30 RTS Li-ion Wirefree (charger sold separately)*	\$650
Somfy ST40 Quiet RTS*	\$800
Rollease 1.1 Li-ion Rechargeable Battery	\$625
Rollease 1.1 Plug-in*	\$825
Rollease Q2.0 Li-ion Rechargeable Battery*	\$700
Rollease Q2.0 Plug-in*	\$900

Control Options

BTX Controls	
BTX Handsender 1 or 6-Channel White	\$125
BTX Wireless Wallswitch (2-Ch or 5-Ch)	\$150
BTX SmartConnect RS-232 Interface	\$350
Somfy Controls	
Somfy Situo RTS 1-Channel White	\$175
Somfy Situo RTS 5-Channel White	\$250
Somfy Telis RTS 1-Channel Pure	\$150
Somfy Telis RTS 5-Channel Pure	\$200
Somfy Telis RTS 1-Channel Silver or Lounge	\$275
Somfy Telis RTS 5-Channel Silver or Lounge	\$300
Somfy Decoflex 1-Channel Pure	\$350
Somfy Decoflex 5-Channel Pure	\$375
Somfy Battery Tube, 12V, Reloadable	\$75

Control Options

Rollease Controls	
Rollease Recharger	\$100
Rollease Q2.0/3.0 Power Supply	\$250
Rollease 5-Channel Surface Mount Switch	\$150
Rollease 15-Channel Cut-in Switch	\$150
Rollease 1-Channel Cut-in Switch	\$150
Rollease Handsender Push 5-Channel Matte Black	\$200
Rollease Handsender Push 5-Channel Gloss White	\$200
Rollease Handsender 15-Channel White	\$170
Rollease Handsender 1-Channel White	\$150
Misc. Controls	
Extended Power Lead	\$30/foot

Hardware Options

Side Channel (Both Sides)	\$30/foot
Heavy Duty Tube	\$10/foot
Coulisse Absolute 2.0 Bracket System Upgrade	\$100

*Available for HD tube upgrade

Fabric List [\(See fabric index page 31-32 for Fabric Grid listing\)](#)



Sorina® S Shades

Price Grid 6

Sorina S Manual Retail Pricing

HEIGHT		WIDTH					
		1 ft.	2 ft.	3 ft.	4 ft.	5 ft.	6 ft.
Feet	Inches	12 in.	24 in.	36 in.	48 in.	60 in.	72 in.
1 ft.	12 in.	\$94	\$137	\$180	\$223	\$265	\$308
2 ft.	24 in.	\$108	\$164	\$220	\$276	\$332	\$388
3 ft.	36 in.	\$121	\$190	\$260	\$329	\$398	\$468
4 ft.	48 in.	\$134	\$217	\$299	\$382	\$465	\$547
5 ft.	60 in.	\$148	\$243	\$339	\$435	\$531	\$627
6 ft.	72 in.	\$161	\$270	\$379	\$488	\$598	\$707
7 ft.	84 in.	\$174	\$297	\$419	\$542	\$664	\$786
8 ft.	96 in.	\$187	\$323	\$459	\$595	\$730	\$866

Surcharges

Feet	1 ft.	2 ft.	3 ft.	4 ft.	5 ft.	6 ft.
Inches	12 in.	24 in.	36 in.	48 in.	60 in.	72 in.
3 in. Fascia	\$65	\$75	\$85	\$95	\$105	\$115
Cassette	\$35	\$70	\$105	\$140	\$175	\$210
Sill Channel	\$15	\$30	\$45	\$60	\$75	\$90
Sill Angle	\$8	\$16	\$24	\$32	\$40	\$48
Shade Pocket	\$100	\$125	\$150	\$175	\$200	\$225
Pocket Hanger	\$10	\$20	\$30	\$40	\$50	\$60
Pocket Closure	\$15	\$30	\$45	\$60	\$75	\$90
External Hembar	\$0	\$0	\$0	\$0	\$0	\$0
Hanging Valance	\$30	\$60	\$90	\$120	\$150	\$180

Note: Cassette can come with or without fabric wrap.

Note: Hanging valances are not available with returns.

Note: HD tube upgrade is required for BTX 35QE RF and ST40. HD tube is available up to 8-feet for designated motors. Call factory for specifics.

Product Options and Surcharges

Motor Options

BTX 25E RF Motor with Battery Wand	\$385
BTX 35QE RF*	\$485
Somfy R28 with Battery Wand*	\$600
Somfy R28 RTS Li-ion WireFree (charger sold separately)*	\$600
Somfy ST30 Quiet RTS with Transformer*	\$935
Somfy ST30 DCT with Transformer*	\$850
Somfy ST30 RS485 with Transformer*	\$1,075
Somfy ST30 RTS Li-ion WireFree (charger sold separately)*	\$650
Somfy ST40 Quiet RTS*	\$800
Rollese 1.1 Li-ion Rechargeable Battery	\$625
Rollese 1.1 Plug-in*	\$825
Rollese Q2.0 Li-ion Rechargeable Battery*	\$700
Rollese Q2.0 Plug-in*	\$900

Control Options

BTX Controls	
BTX Handsender 1 or 6-Channel White	\$125
BTX Wireless Wallswitch (2-Ch or 5-Ch)	\$150
BTX SmartConnect RS-232 Interface	\$350
Somfy Controls	
Somfy Situo RTS 1-Channel White	\$175
Somfy Situo RTS 5-Channel White	\$250
Somfy Telis RTS 1-Channel Pure	\$150
Somfy Telis RTS 5-Channel Pure	\$200
Somfy Telis RTS 1-Channel Silver or Lounge	\$275
Somfy Telis RTS 5-Channel Silver or Lounge	\$300
Somfy Decoflex 1-Channel Pure	\$350
Somfy Decoflex 5-Channel Pure	\$375
Somfy Battery Tube, 12V, Reloadable	\$75

Control Options

Rollese Controls	
Rollese Recharger	\$100
Rollese Q2.0/3.0 Power Supply	\$250
Rollese 5-Channel Surface Mount Switch	\$150
Rollese 15-Channel Cut-in Switch	\$150
Rollese 1-Channel Cut-in Switch	\$150
Rollese Handsender Push 5-Channel Matte Black	\$200
Rollese Handsender Push 5-Channel Gloss White	\$200
Rollese Handsender 15-Channel White	\$170
Rollese Handsender 1-Channel White	\$150
Misc. Controls	
Extended Power Lead	\$30/foot

Hardware Options

Side Channel (Both Sides)	\$30/foot
Heavy Duty Tube	\$10/foot
Coulisse Absolute 2.0 Bracket System Upgrade	\$100

*Available for HD tube upgrade

Fabric List (See fabric index page 31-32 for Fabric Grid listing)



Sorina S Manual Retail Pricing

HEIGHT		WIDTH					
		1ft.	2 ft.	3 ft.	4 ft.	5 ft.	6 ft.
Feet	Inches	12 in.	24 in.	36 in.	48 in.	60 in.	72 in.
1 ft.	12 in.	\$103	\$154	\$205	\$256	\$307	\$358
2 ft.	24 in.	\$119	\$187	\$255	\$322	\$390	\$458
3 ft.	36 in.	\$136	\$220	\$304	\$389	\$473	\$557
4 ft.	48 in.	\$153	\$253	\$354	\$455	\$556	\$657
5 ft.	60 in.	\$169	\$287	\$404	\$522	\$639	\$757
6 ft.	72 in.	\$186	\$320	\$454	\$588	\$722	\$856
7 ft.	84 in.	\$202	\$353	\$504	\$654	\$805	\$956
8 ft.	96 in.	\$219	\$386	\$554	\$721	\$888	\$1,056

Surcharges

Feet	1 ft.	2 ft.	3 ft.	4 ft.	5 ft.	6 ft.
Inches	12 in.	24 in.	36 in.	48 in.	60 in.	72 in.
3 in. Fascia	\$65	\$75	\$85	\$95	\$105	\$115
Cassette	\$35	\$70	\$105	\$140	\$175	\$210
Sill Channel	\$15	\$30	\$45	\$60	\$75	\$90
Sill Angle	\$8	\$16	\$24	\$32	\$40	\$48
Shade Pocket	\$100	\$125	\$150	\$175	\$200	\$225
Pocket Hanger	\$10	\$20	\$30	\$40	\$50	\$60
Pocket Closure	\$15	\$30	\$45	\$60	\$75	\$90
External Hembar	\$0	\$0	\$0	\$0	\$0	\$0
Hanging Valance	\$30	\$60	\$90	\$120	\$150	\$180

Note: Cassette can come with or without fabric wrap.

Note: Hanging valances are not available with returns.

Note: HD tube upgrade is required for BTX 35QE RF and ST40. HD tube is available up to 8-feet for designated motors. Call factory for specifics.

Product Options and Surcharges

Motor Options

BTX 25E RF Motor with Battery Wand	\$385
BTX 35QE RF*	\$485
Somfy R28 with Battery Wand*	\$600
Somfy R28 RTS Li-ion WireFree (charger sold separately)*	\$600
Somfy ST30 Quiet RTS with Transformer*	\$935
Somfy ST30 DCT with Transformer*	\$850
Somfy ST30 RS485 with Transformer*	\$1,075
Somfy ST30 RTS Li-ion Wirefree (charger sold separately)*	\$650
Somfy ST40 Quiet RTS*	\$800
Rollease 1.1 Li-ion Rechargeable Battery	\$625
Rollease 1.1 Plug-in*	\$825
Rollease Q2.0 Li-ion Rechargeable Battery*	\$700
Rollease Q2.0 Plug-in*	\$900

Control Options

BTX Controls	
BTX Handsender 1 or 6-Channel White	\$125
BTX Wireless Wallswitch (2-Ch or 5-Ch)	\$150
BTX SmartConnect RS-232 Interface	\$350
Somfy Controls	
Somfy Situo RTS 1-Channel White	\$175
Somfy Situo RTS 5-Channel White	\$250
Somfy Telis RTS 1-Channel Pure	\$150
Somfy Telis RTS 5-Channel Pure	\$200
Somfy Telis RTS 1-Channel Silver or Lounge	\$275
Somfy Telis RTS 5-Channel Silver or Lounge	\$300
Somfy Decoflex 1-Channel Pure	\$350
Somfy Decoflex 5-Channel Pure	\$375
Somfy Battery Tube, 12V, Reloadable	\$75

Control Options

Rollease Controls	
Rollease Recharger	\$100
Rollease Q2.0/3.0 Power Supply	\$250
Rollease 5-Channel Surface Mount Switch	\$150
Rollease 15-Channel Cut-in Switch	\$150
Rollease 1-Channel Cut-in Switch	\$150
Rollease Handsender Push 5-Channel Matte Black	\$200
Rollease Handsender Push 5-Channel Gloss White	\$200
Rollease Handsender 15-Channel White	\$170
Rollease Handsender 1-Channel White	\$150
Misc. Controls	
Extended Power Lead	\$30/foot

Hardware Options

Side Channel (Both Sides)	\$30/foot
Heavy Duty Tube	\$10/foot
Coulisse Absolute 2.0 Bracket System Upgrade	\$100

*Available for HD tube upgrade

Fabric List *(See fabric index page 31-32 for Fabric Grid listing)*



Sorina M systems come available in both manual and motorized options and are designed to handle medium to large windows based on the application. M-class systems use a slightly bigger tube size and heavier duty hardware than the Sorina S product line. This allows M-class systems to be built at larger sizes with more customization options. Combine these systems with our wide range of fabrics for a complete Intelligent Fashion solution.



M Class (Medium) Manual Roller Shade System

- Max size: 9 ft. by 12 ft. *(depending on weight of fabric)*
- 2 in. tube and bracket system
- 4 in. fascia options
- Cassette with fabric wrap options



M Class (Medium) Motorized Roller Shade System

- AC, DC, or Battery Motorized system options
- Max size: 9 ft. by 12 ft. *(depending on weight of fabric)*
- HD Tube available up to 10 ft.
- Max lifting capacity determined by motor (see page 41)
- 2 in. tube and bracket system
- 4 in. fascia options

Contact factory for coupled systems.

What comes with the standard grid price?

Your BTX Intelligent Fashion Sorina S Roller Shade System comes with

- Fully fabricated manual Roller Shade system, built to your exact specifications
- Stainless Steel bead chain
- 2 in. hook mounting clutch and bracket system
- Fabric listed for the selected grid
- Sealed internal bottom bar (Depending on fabric. Some fabrics cannot use sealed bottom bar)

Important information regarding this system

- Motorized systems are available as an upcharge. (See product options and surcharges at the bottom of each pricing page)
- Control devices for motorized systems are sold separately! Please specify whether you want a handsender, wall switch, or other control method.
- Additional peripherals may be required based on your control scenario
- Please be prepared to answer the following questions about your system:
 - Clutch or Motor Side (left or right)
 - Roll direction (standard front roll or reverse roll)
 - Hardware color (white, vanilla, silver, or bronze)
 - How would you like the systems programmed, if motorized (we do program and test everything before shipping!)
 - Do you need any additional accessories like fascia, side channel, etc. for an upcharge.
- Railroading may be necessary based on size.
- Not all fabrics can be railroaded.
- If you require a larger size, you may need to move up to a Sorina M, Sorina L, or Sorina XL class shade.
- Contact the factory for coupled shades.
- If you have a preference on packaging method (box or crate), please specify, otherwise we will select the safest and most economical method.

Sorina M Manual Retail Pricing

HEIGHT		WIDTH								
		1ft.	2 ft.	3 ft.	4 ft.	5 ft.	6 ft.	7 ft.	8 ft.	9 ft.
Feet	Inches	12 in.	24 in.	36 in.	48 in.	60 in.	72 in.	84 in.	96 in.	108 in.
1 ft.	12 in.	\$96	\$118	\$140	\$162	\$184	\$206	\$228	\$250	\$272
2 ft.	24 in.	\$99	\$124	\$150	\$175	\$200	\$226	\$251	\$277	\$302
3 ft.	36 in.	\$102	\$131	\$160	\$188	\$217	\$246	\$274	\$303	\$332
4 ft.	48 in.	\$106	\$138	\$170	\$202	\$234	\$266	\$298	\$330	\$362
5 ft.	60 in.	\$109	\$144	\$180	\$215	\$250	\$286	\$321	\$356	\$392
6 ft.	72 in.	\$112	\$151	\$190	\$228	\$267	\$306	\$344	\$383	\$422
7 ft.	84 in.	\$116	\$158	\$200	\$242	\$283	\$325	\$367	\$409	\$451
8 ft.	96 in.	\$119	\$164	\$209	\$255	\$300	\$345	\$391	\$436	\$481
9 ft.	108 in.	\$122	\$171	\$219	\$268	\$317	\$365	\$414	\$463	\$511
10 ft.	120 in.	\$126	\$177	\$229	\$281	\$333	\$385	\$437	\$489	\$541
11 ft.	132 in.	\$129	\$184	\$239	\$295	\$350	\$405	\$461	\$516	\$571
12 ft.	144 in.	\$132	\$191	\$249	\$308	\$367	\$425	\$484	\$542	\$601

Surcharges

Feet	1 ft.	2 ft.	3 ft.	4 ft.	5 ft.	6 ft.	7 ft.	8 ft.	9 ft.
Inches	12 in.	24 in.	36 in.	48 in.	60 in.	72 in.	84 in.	96 in.	108 in.
4 in. Fascia	\$80	\$90	\$100	\$110	\$120	\$130	\$140	\$150	\$160
4 in. Backplate	\$85	\$100	\$115	\$130	\$145	\$160	\$175	\$190	\$205
4 in. Fascia & Backplate	\$95	\$120	\$145	\$170	\$195	\$220	\$245	\$270	\$295
Cassette	\$30	\$45	\$60	\$85	\$100	\$115	\$130	\$145	\$160
Sill Channel	\$15	\$30	\$45	\$60	\$75	\$90	\$105	\$120	\$135
Sill Angle	\$8	\$16	\$24	\$32	\$40	\$48	\$56	\$64	\$72
Shade Pocket	\$100	\$125	\$150	\$175	\$200	\$225	\$250	\$275	\$300
Pocket Hanger	\$10	\$20	\$30	\$40	\$50	\$60	\$70	\$80	\$90
Pocket Closure	\$15	\$30	\$45	\$60	\$75	\$90	\$105	\$120	\$135
External Hembar	\$0	\$0	\$0	\$0	\$0	\$0	\$0	\$0	\$0
Hanging Valance	\$30	\$60	\$90	\$120	\$150	\$180	\$210	\$240	\$270

Note: Cassette can come with or without fabric wrap.
 Note: Hanging valances are not available with returns.

Product Options and Surcharges

Motor Options

BTX 110V AC 45QE RF (101.8803)	\$485
BTX 45QE-RF Li-ion (101.5503)	\$500
BTX 24V DC RF (101.9215)	\$650
BTX 24V DC 2-Wire (101.9220)	\$450
Somfy ST40 Quiet RTS (101.9565)	\$1,100
Somfy ST50 Quiet RTS (101.9542)	\$965
Somfy ST50 ULTRA AC RTS (101.9543)	\$1,050
Somfy ST50 ULTRA DC RTS (101.9551)	\$1,200
Rollease Q3.0 Li-ion Rechargeable Battery	\$950
Rollease Q3.0 Plug-in	\$1,200

Control Options

BTX Controls	
BTX Handsender 1 or 6-Channel White	\$125
BTX Wireless Wallswitch (2-Ch or 5-Ch)	\$150
BTX SmartConnect RS-232 Interface	\$350
Somfy Controls	
Somfy Situo RTS 1-Channel White	\$175
Somfy Situo RTS 5-Channel White	\$250
Somfy Telis RTS 1-Channel Pure	\$150
Somfy Telis RTS 5-Channel Pure	\$200
Somfy Telis RTS 1-Channel Silver or Lounge	\$275
Somfy Telis RTS 5-Channel Silver or Lounge	\$300
Somfy Decoflex 1-Channel Pure	\$350
Somfy Decoflex 5-Channel Pure	\$375

Control Options

Rollease Controls	
Rollease Recharger	\$100
Rollease Q2.0/3.0 Power Supply	\$250
Rollease 5-Channel Surface Mount Switch	\$150
Rollease 15-Channel Cut-in Switch	\$150
Rollease 1-Channel Cut-in Switch	\$150
Rollease Handsender Push 5-Channel Matte Black	\$200
Rollease Handsender Push 5-Channel Gloss White	\$200
Rollease Handsender 15-Channel White	\$170
Rollease Handsender 1-Channel White	\$150
Misc. Controls	
Extended Power Lead	\$30/foot

Hardware Options

Side Channel (Both Sides)	\$30/foot
Coulisse Absolute 2.0 Bracket System Upgrade	\$100

Fabric List *(See fabric index page 31-32 for Fabric Grid listing)*



Sorina M Manual Retail Pricing

HEIGHT		WIDTH								
		1ft.	2 ft.	3 ft.	4 ft.	5 ft.	6 ft.	7 ft.	8 ft.	9 ft.
Feet	Inches	12 in.	24 in.	36 in.	48 in.	60 in.	72 in.	84 in.	96 in.	108 in.
1 ft.	12 in.	\$100	\$126	\$152	\$178	\$205	\$231	\$257	\$283	\$309
2 ft.	24 in.	\$105	\$136	\$167	\$198	\$230	\$261	\$292	\$323	\$354
3 ft.	36 in.	\$110	\$146	\$182	\$218	\$254	\$291	\$327	\$363	\$399
4 ft.	48 in.	\$115	\$156	\$197	\$238	\$279	\$321	\$362	\$403	\$444
5 ft.	60 in.	\$120	\$166	\$212	\$258	\$304	\$350	\$397	\$443	\$489
6 ft.	72 in.	\$125	\$176	\$227	\$278	\$329	\$380	\$431	\$483	\$534
7 ft.	84 in.	\$130	\$186	\$242	\$298	\$354	\$410	\$466	\$522	\$579
8 ft.	96 in.	\$135	\$196	\$257	\$318	\$379	\$440	\$501	\$562	\$623
9 ft.	108 in.	\$140	\$206	\$272	\$338	\$404	\$470	\$536	\$602	\$668
10 ft.	120 in.	\$145	\$216	\$287	\$358	\$429	\$500	\$571	\$642	\$713
11 ft.	132 in.	\$150	\$226	\$302	\$378	\$454	\$530	\$606	\$682	\$758
12 ft.	144 in.	\$155	\$236	\$317	\$398	\$479	\$560	\$641	\$722	\$803

Surcharges

Feet	1 ft.	2 ft.	3 ft.	4 ft.	5 ft.	6 ft.	7 ft.	8 ft.	9 ft.
Inches	12 in.	24 in.	36 in.	48 in.	60 in.	72 in.	84 in.	96 in.	108 in.
4 in. Fascia	\$80	\$90	\$100	\$110	\$120	\$130	\$140	\$150	\$160
4 in. Backplate	\$85	\$100	\$115	\$130	\$145	\$160	\$175	\$190	\$205
4 in. Fascia & Backplate	\$95	\$120	\$145	\$170	\$195	\$220	\$245	\$270	\$295
Cassette	\$30	\$45	\$60	\$85	\$100	\$115	\$130	\$145	\$160
Sill Channel	\$15	\$30	\$45	\$60	\$75	\$90	\$105	\$120	\$135
Sill Angle	\$8	\$16	\$24	\$32	\$40	\$48	\$56	\$64	\$72
Shade Pocket	\$100	\$125	\$150	\$175	\$200	\$225	\$250	\$275	\$300
Pocket Hanger	\$10	\$20	\$30	\$40	\$50	\$60	\$70	\$80	\$90
Pocket Closure	\$15	\$30	\$45	\$60	\$75	\$90	\$105	\$120	\$135
External Hembar	\$0	\$0	\$0	\$0	\$0	\$0	\$0	\$0	\$0
Hanging Valance	\$30	\$60	\$90	\$120	\$150	\$180	\$210	\$240	\$270

Note: Cassette can come with or without fabric wrap.
 Note: Hanging valances are not available with returns.

Product Options and Surcharges

Motor Options

BTX 110V AC 45QE RF (101.8803)	\$485
BTX 45QE-RF Li-ion (101.5503)	\$500
BTX 24V DC RF (101.9215)	\$650
BTX 24V DC 2-Wire (101.9220)	\$450
Somfy ST40 Quiet RTS (101.9565)	\$1,100
Somfy ST50 Quiet RTS (101.9542)	\$965
Somfy ST50 ULTRA AC RTS (101.9543)	\$1,050
Somfy ST50 ULTRA DC RTS (101.9551)	\$1,200
Rollese Q3.0 Li-ion Rechargeable Battery	\$950
Rollese Q3.0 Plug-in	\$1,200

Control Options

BTX Controls	
BTX Handsender 1 or 6-Channel White	\$125
BTX Wireless Wallswitch (2-Ch or 5-Ch)	\$150
BTX SmartConnect RS-232 Interface	\$350
Somfy Controls	
Somfy Situo RTS 1-Channel White	\$175
Somfy Situo RTS 5-Channel White	\$250
Somfy Telis RTS 1-Channel Pure	\$150
Somfy Telis RTS 5-Channel Pure	\$200
Somfy Telis RTS 1-Channel Silver or Lounge	\$275
Somfy Telis RTS 5-Channel Silver or Lounge	\$300
Somfy Decoflex 1-Channel Pure	\$350
Somfy Decoflex 5-Channel Pure	\$375

Control Options

Rollese Controls	
Rollese Recharger	\$100
Rollese Q2.0/3.0 Power Supply	\$250
Rollese 5-Channel Surface Mount Switch	\$150
Rollese 15-Channel Cut-in Switch	\$150
Rollese 1-Channel Cut-in Switch	\$150
Rollese Handsender Push 5-Channel Matte Black	\$200
Rollese Handsender Push 5-Channel Gloss White	\$200
Rollese Handsender 15-Channel White	\$170
Rollese Handsender 1-Channel White	\$150
Misc. Controls	
Extended Power Lead	\$30/foot

Hardware Options

Side Channel (Both Sides)	\$30/foot
Coulisse Absolute 2.0 Bracket System Upgrade	\$100

Fabric List *(See fabric index page 31-32 for Fabric Grid listing)*



Sorina® M Shades

Price Grid 3

Sorina M Manual Retail Pricing

HEIGHT		WIDTH								
		1ft.	2 ft.	3 ft.	4 ft.	5 ft.	6 ft.	7 ft.	8 ft.	9 ft.
Feet	Inches	12 in.	24 in.	36 in.	48 in.	60 in.	72 in.	84 in.	96 in.	108 in.
1 ft.	12 in.	\$104	\$134	\$165	\$195	\$225	\$256	\$286	\$316	\$347
2 ft.	24 in.	\$111	\$148	\$185	\$222	\$259	\$296	\$333	\$370	\$407
3 ft.	36 in.	\$117	\$161	\$204	\$248	\$292	\$335	\$379	\$423	\$466
4 ft.	48 in.	\$124	\$174	\$224	\$275	\$325	\$375	\$426	\$476	\$526
5 ft.	60 in.	\$130	\$187	\$244	\$301	\$358	\$415	\$472	\$529	\$586
6 ft.	72 in.	\$137	\$201	\$264	\$328	\$391	\$455	\$519	\$582	\$646
7 ft.	84 in.	\$144	\$214	\$284	\$354	\$425	\$495	\$565	\$635	\$706
8 ft.	96 in.	\$150	\$227	\$304	\$381	\$458	\$535	\$612	\$689	\$765
9 ft.	108 in.	\$157	\$241	\$324	\$408	\$491	\$575	\$658	\$742	\$825
10 ft.	120 in.	\$164	\$254	\$344	\$434	\$524	\$615	\$705	\$795	\$885
11 ft.	132 in.	\$170	\$267	\$364	\$461	\$558	\$654	\$751	\$848	\$945
12 ft.	144 in.	\$177	\$280	\$384	\$487	\$591	\$694	\$798	\$901	\$1,005

Surcharges

Feet	1 ft.	2 ft.	3 ft.	4 ft.	5 ft.	6 ft.	7 ft.	8 ft.	9 ft.
Inches	12 in.	24 in.	36 in.	48 in.	60 in.	72 in.	84 in.	96 in.	108 in.
4 in. Fascia	\$80	\$90	\$100	\$110	\$120	\$130	\$140	\$150	\$160
4 in. Backplate	\$85	\$100	\$115	\$130	\$145	\$160	\$175	\$190	\$205
4 in. Fascia & Backplate	\$95	\$120	\$145	\$170	\$195	\$220	\$245	\$270	\$295
Cassette	\$30	\$45	\$60	\$85	\$100	\$115	\$130	\$145	\$160
Sill Channel	\$15	\$30	\$45	\$60	\$75	\$90	\$105	\$120	\$135
Sill Angle	\$8	\$16	\$24	\$32	\$40	\$48	\$56	\$64	\$72
Shade Pocket	\$100	\$125	\$150	\$175	\$200	\$225	\$250	\$275	\$300
Pocket Hanger	\$10	\$20	\$30	\$40	\$50	\$60	\$70	\$80	\$90
Pocket Closure	\$15	\$30	\$45	\$60	\$75	\$90	\$105	\$120	\$135
External Hembar	\$0	\$0	\$0	\$0	\$0	\$0	\$0	\$0	\$0
Hanging Valance	\$30	\$60	\$90	\$120	\$150	\$180	\$210	\$240	\$270

Note: Cassette can come with or without fabric wrap.
 Note: Hanging valances are not available with returns.

Product Options and Surcharges

Motor Options

BTX 110V AC 45QE RF (101.8803)	\$485
BTX 45QE-RF Li-ion (101.5503)	\$500
BTX 24V DC RF (101.9215)	\$650
BTX 24V DC 2-Wire (101.9220)	\$450
Somfy ST40 Quiet RTS (101.9565)	\$1,100
Somfy ST50 Quiet RTS (101.9542)	\$965
Somfy ST50 ULTRA AC RTS (101.9543)	\$1,050
Somfy ST50 ULTRA DC RTS (101.9551)	\$1,200
Rollese Q3.0 Li-ion Rechargeable Battery	\$950
Rollese Q3.0 Plug-in	\$1,200

Control Options

BTX Controls	
BTX Handsender 1 or 6-Channel White	\$125
BTX Wireless Wallswitch (2-Ch or 5-Ch)	\$150
BTX SmartConnect RS-232 Interface	\$350
Somfy Controls	
Somfy Situo RTS 1-Channel White	\$175
Somfy Situo RTS 5-Channel White	\$250
Somfy Telis RTS 1-Channel Pure	\$150
Somfy Telis RTS 5-Channel Pure	\$200
Somfy Telis RTS 1-Channel Silver or Lounge	\$275
Somfy Telis RTS 5-Channel Silver or Lounge	\$300
Somfy Decoflex 1-Channel Pure	\$350
Somfy Decoflex 5-Channel Pure	\$375

Control Options

Rollese Controls	
Rollese Recharger	\$100
Rollese Q2.0/3.0 Power Supply	\$250
Rollese 5-Channel Surface Mount Switch	\$150
Rollese 15-Channel Cut-in Switch	\$150
Rollese 1-Channel Cut-in Switch	\$150
Rollese Handsender Push 5-Channel Matte Black	\$200
Rollese Handsender Push 5-Channel Gloss White	\$200
Rollese Handsender 15-Channel White	\$170
Rollese Handsender 1-Channel White	\$150
Misc. Controls	
Extended Power Lead	\$30/foot

Hardware Options

Side Channel (Both Sides)	\$30/foot
Coulisse Absolute 2.0 Bracket System Upgrade	\$100

Fabric List *(See fabric index page 31-32 for Fabric Grid listing)*



Sorina M Manual Retail Pricing

HEIGHT		WIDTH									
		1ft.	2 ft.	3 ft.	4 ft.	5 ft.	6 ft.	7 ft.	8 ft.	9 ft.	
Feet	Inches	12 in.	24 in.	36 in.	48 in.	60 in.	72 in.	84 in.	96 in.	108 in.	
1 ft.	12 in.	\$108	\$143	\$177	\$212	\$246	\$281	\$315	\$350	\$384	
2 ft.	24 in.	\$116	\$159	\$202	\$245	\$288	\$330	\$373	\$416	\$459	
3 ft.	36 in.	\$125	\$176	\$227	\$278	\$329	\$380	\$431	\$483	\$534	
4 ft.	48 in.	\$133	\$192	\$252	\$311	\$371	\$430	\$490	\$549	\$608	
5 ft.	60 in.	\$141	\$209	\$277	\$344	\$412	\$480	\$548	\$615	\$683	
6 ft.	72 in.	\$150	\$226	\$302	\$378	\$454	\$530	\$606	\$682	\$758	
7 ft.	84 in.	\$158	\$242	\$327	\$411	\$495	\$580	\$664	\$748	\$833	
8 ft.	96 in.	\$166	\$259	\$352	\$444	\$537	\$629	\$722	\$815	\$907	
9 ft.	108 in.	\$175	\$275	\$376	\$477	\$578	\$679	\$780	\$881	\$982	
10 ft.	120 in.	\$183	\$292	\$401	\$511	\$620	\$729	\$838	\$948	\$1,057	
11 ft.	132 in.	\$191	\$309	\$426	\$544	\$661	\$779	\$897	\$1,014	\$1,132	
12 ft.	144 in.	\$199	\$325	\$451	\$577	\$703	\$829	\$955	\$1,081	\$1,206	

Surcharges

Feet	1 ft.	2 ft.	3 ft.	4 ft.	5 ft.	6 ft.	7 ft.	8 ft.	9 ft.
Inches	12 in.	24 in.	36 in.	48 in.	60 in.	72 in.	84 in.	96 in.	108 in.
4 in. Fascia	\$80	\$90	\$100	\$110	\$120	\$130	\$140	\$150	\$160
4 in. Backplate	\$85	\$100	\$115	\$130	\$145	\$160	\$175	\$190	\$205
4 in. Fascia & Backplate	\$95	\$120	\$145	\$170	\$195	\$220	\$245	\$270	\$295
Cassette	\$30	\$45	\$60	\$85	\$100	\$115	\$130	\$145	\$160
Sill Channel	\$15	\$30	\$45	\$60	\$75	\$90	\$105	\$120	\$135
Sill Angle	\$8	\$16	\$24	\$32	\$40	\$48	\$56	\$64	\$72
Shade Pocket	\$100	\$125	\$150	\$175	\$200	\$225	\$250	\$275	\$300
Pocket Hanger	\$10	\$20	\$30	\$40	\$50	\$60	\$70	\$80	\$90
Pocket Closure	\$15	\$30	\$45	\$60	\$75	\$90	\$105	\$120	\$135
External Hembar	\$0	\$0	\$0	\$0	\$0	\$0	\$0	\$0	\$0
Hanging Valance	\$30	\$60	\$90	\$120	\$150	\$180	\$210	\$240	\$270

Note: Cassette can come with or without fabric wrap.
 Note: Hanging valances are not available with returns.

Product Options and Surcharges

Motor Options

BTX 110V AC 45QE RF (101.8803)	\$485
BTX 45QE-RF Li-ion (101.5503)	\$500
BTX 24V DC RF (101.9215)	\$650
BTX 24V DC 2-Wire (101.9220)	\$450
Somfy ST40 Quiet RTS (101.9565)	\$1,100
Somfy ST50 Quiet RTS (101.9542)	\$965
Somfy ST50 ULTRA AC RTS (101.9543)	\$1,050
Somfy ST50 ULTRA DC RTS (101.9551)	\$1,200
Rollease Q3.0 Li-ion Rechargeable Battery	\$950
Rollease Q3.0 Plug-in	\$1,200

Control Options

BTX Controls	
BTX Handsender 1 or 6-Channel White	\$125
BTX Wireless Wallswitch (2-Ch or 5-Ch)	\$150
BTX SmartConnect RS-232 Interface	\$350
Somfy Controls	
Somfy Situo RTS 1-Channel White	\$175
Somfy Situo RTS 5-Channel White	\$250
Somfy Telis RTS 1-Channel Pure	\$150
Somfy Telis RTS 5-Channel Pure	\$200
Somfy Telis RTS 1-Channel Silver or Lounge	\$275
Somfy Telis RTS 5-Channel Silver or Lounge	\$300
Somfy Decoflex 1-Channel Pure	\$350
Somfy Decoflex 5-Channel Pure	\$375

Control Options

Rollease Controls	
Rollease Recharger	\$100
Rollease Q2.0/3.0 Power Supply	\$250
Rollease 5-Channel Surface Mount Switch	\$150
Rollease 15-Channel Cut-in Switch	\$150
Rollease 1-Channel Cut-in Switch	\$150
Rollease Handsender Push 5-Channel Matte Black	\$200
Rollease Handsender Push 5-Channel Gloss White	\$200
Rollease Handsender 15-Channel White	\$170
Rollease Handsender 1-Channel White	\$150
Misc. Controls	
Extended Power Lead	\$30/foot

Hardware Options

Side Channel (Both Sides)	\$30/foot
Coulisse Absolute 2.0 Bracket System Upgrade	\$100

Fabric List *(See fabric index page 31-32 for Fabric Grid listing)*



Sorina® M Shades

Price Grid 5

Sorina M Manual Retail Pricing

		WIDTH								
		1ft.	2 ft.	3 ft.	4 ft.	5 ft.	6 ft.	7 ft.	8 ft.	9 ft.
HEIGHT	Feet	12 in.	24 in.	36 in.	48 in.	60 in.	72 in.	84 in.	96 in.	108 in.
		1 ft.	\$112	\$151	\$190	\$228	\$267	\$306	\$344	\$383
	2 ft.	\$122	\$171	\$219	\$268	\$317	\$365	\$414	\$463	\$511
	3 ft.	\$132	\$191	\$249	\$308	\$367	\$425	\$484	\$542	\$601
	4 ft.	\$142	\$211	\$279	\$348	\$416	\$485	\$554	\$622	\$691
	5 ft.	\$152	\$231	\$309	\$388	\$466	\$545	\$623	\$702	\$780
	6 ft.	\$162	\$251	\$339	\$428	\$516	\$605	\$693	\$782	\$870
	7 ft.	\$172	\$270	\$369	\$467	\$566	\$664	\$763	\$861	\$960
	8 ft.	\$182	\$290	\$399	\$507	\$616	\$724	\$833	\$941	\$1,049
	9 ft.	\$192	\$310	\$429	\$547	\$666	\$784	\$902	\$1,021	\$1,139
	10 ft.	\$202	\$330	\$459	\$587	\$715	\$844	\$972	\$1,101	\$1,229
	11 ft.	\$212	\$350	\$489	\$627	\$765	\$904	\$1,042	\$1,180	\$1,319
	12 ft.	\$222	\$370	\$518	\$667	\$815	\$963	\$1,112	\$1,260	\$1,408

Surcharges

Feet	1 ft.	2 ft.	3 ft.	4 ft.	5 ft.	6 ft.	7 ft.	8 ft.	9 ft.
Inches	12 in.	24 in.	36 in.	48 in.	60 in.	72 in.	84 in.	96 in.	108 in.
4 in. Fascia	\$80	\$90	\$100	\$110	\$120	\$130	\$140	\$150	\$160
4 in. Backplate	\$85	\$100	\$115	\$130	\$145	\$160	\$175	\$190	\$205
4 in. Fascia & Backplate	\$95	\$120	\$145	\$170	\$195	\$220	\$245	\$270	\$295
Cassette	\$30	\$45	\$60	\$85	\$100	\$115	\$130	\$145	\$160
Sill Channel	\$15	\$30	\$45	\$60	\$75	\$90	\$105	\$120	\$135
Sill Angle	\$8	\$16	\$24	\$32	\$40	\$48	\$56	\$64	\$72
Shade Pocket	\$100	\$125	\$150	\$175	\$200	\$225	\$250	\$275	\$300
Pocket Hanger	\$10	\$20	\$30	\$40	\$50	\$60	\$70	\$80	\$90
Pocket Closure	\$15	\$30	\$45	\$60	\$75	\$90	\$105	\$120	\$135
External Hembar	\$0	\$0	\$0	\$0	\$0	\$0	\$0	\$0	\$0
Hanging Valance	\$30	\$60	\$90	\$120	\$150	\$180	\$210	\$240	\$270

Note: Cassette can come with or without fabric wrap.
 Note: Hanging valances are not available with returns.

Product Options and Surcharges

Motor Options

BTX 110V AC 45QE RF (101.8803)	\$485
BTX 45QE-RF Li-ion (101.5503)	\$500
BTX 24V DC RF (101.9215)	\$650
BTX 24V DC 2-Wire (101.9220)	\$450
Somfy ST40 Quiet RTS (101.9565)	\$1,100
Somfy ST50 Quiet RTS (101.9542)	\$965
Somfy ST50 ULTRA AC RTS (101.9543)	\$1,050
Somfy ST50 ULTRA DC RTS (101.9551)	\$1,200
Rollese Q3.0 Li-ion Rechargeable Battery	\$950
Rollese Q3.0 Plug-in	\$1,200

Control Options

BTX Controls	
BTX Handsender 1 or 6-Channel White	\$125
BTX Wireless Wallswitch (2-Ch or 5-Ch)	\$150
BTX SmartConnect RS-232 Interface	\$350
Somfy Controls	
Somfy Situo RTS 1-Channel White	\$175
Somfy Situo RTS 5-Channel White	\$250
Somfy Telis RTS 1-Channel Pure	\$150
Somfy Telis RTS 5-Channel Pure	\$200
Somfy Telis RTS 1-Channel Silver or Lounge	\$275
Somfy Telis RTS 5-Channel Silver or Lounge	\$300
Somfy Decoflex 1-Channel Pure	\$350
Somfy Decoflex 5-Channel Pure	\$375

Control Options

Rollese Controls	
Rollese Recharger	\$100
Rollese Q2.0/3.0 Power Supply	\$250
Rollese 5-Channel Surface Mount Switch	\$150
Rollese 15-Channel Cut-in Switch	\$150
Rollese 1-Channel Cut-in Switch	\$150
Rollese Handsender Push 5-Channel Matte Black	\$200
Rollese Handsender Push 5-Channel Gloss White	\$200
Rollese Handsender 15-Channel White	\$170
Rollese Handsender 1-Channel White	\$150
Misc. Controls	
Extended Power Lead	\$30/foot

Hardware Options

Side Channel (Both Sides)	\$30/foot
Coulisse Absolute 2.0 Bracket System Upgrade	\$100

Fabric List *(See fabric index page 31-32 for Fabric Grid listing)*



Sorina M Manual Retail Pricing

HEIGHT		WIDTH								
		1ft.	2 ft.	3 ft.	4 ft.	5 ft.	6 ft.	7 ft.	8 ft.	9 ft.
Feet	Inches	12 in.	24 in.	36 in.	48 in.	60 in.	72 in.	84 in.	96 in.	108 in.
1 ft.	12 in.	\$121	\$167	\$214	\$261	\$308	\$355	\$402	\$449	\$496
2 ft.	24 in.	\$134	\$194	\$254	\$315	\$375	\$435	\$495	\$556	\$616
3 ft.	36 in.	\$147	\$221	\$294	\$368	\$441	\$515	\$588	\$662	\$736
4 ft.	48 in.	\$160	\$247	\$334	\$421	\$508	\$595	\$681	\$768	\$855
5 ft.	60 in.	\$174	\$274	\$374	\$474	\$574	\$674	\$774	\$875	\$975
6 ft.	72 in.	\$187	\$300	\$414	\$527	\$641	\$754	\$867	\$981	\$1,094
7 ft.	84 in.	\$200	\$327	\$454	\$580	\$707	\$834	\$961	\$1,087	\$1,214
8 ft.	96 in.	\$214	\$354	\$494	\$634	\$774	\$914	\$1,054	\$1,194	\$1,334
9 ft.	108 in.	\$227	\$380	\$533	\$687	\$840	\$993	\$1,147	\$1,300	\$1,453
10 ft.	120 in.	\$240	\$407	\$573	\$740	\$906	\$1,073	\$1,240	\$1,406	\$1,573
11 ft.	132 in.	\$253	\$433	\$613	\$793	\$973	\$1,153	\$1,333	\$1,512	\$1,692
12 ft.	144 in.	\$267	\$460	\$653	\$846	\$1,039	\$1,232	\$1,426	\$1,619	\$1,812

Surcharges

Feet	1 ft.	2 ft.	3 ft.	4 ft.	5 ft.	6 ft.	7 ft.	8 ft.	9 ft.
Inches	12 in.	24 in.	36 in.	48 in.	60 in.	72 in.	84 in.	96 in.	108 in.
4 in. Fascia	\$80	\$90	\$100	\$110	\$120	\$130	\$140	\$150	\$160
4 in. Backplate	\$85	\$100	\$115	\$130	\$145	\$160	\$175	\$190	\$205
4 in. Fascia & Backplate	\$95	\$120	\$145	\$170	\$195	\$220	\$245	\$270	\$295
Cassette	\$30	\$45	\$60	\$85	\$100	\$115	\$130	\$145	\$160
Sill Channel	\$15	\$30	\$45	\$60	\$75	\$90	\$105	\$120	\$135
Sill Angle	\$8	\$16	\$24	\$32	\$40	\$48	\$56	\$64	\$72
Shade Pocket	\$100	\$125	\$150	\$175	\$200	\$225	\$250	\$275	\$300
Pocket Hanger	\$10	\$20	\$30	\$40	\$50	\$60	\$70	\$80	\$90
Pocket Closure	\$15	\$30	\$45	\$60	\$75	\$90	\$105	\$120	\$135
External Hembar	\$0	\$0	\$0	\$0	\$0	\$0	\$0	\$0	\$0
Hanging Valance	\$30	\$60	\$90	\$120	\$150	\$180	\$210	\$240	\$270

Note: Cassette can come with or without fabric wrap.
 Note: Hanging valances are not available with returns.

Product Options and Surcharges

Motor Options

BTX 110V AC 45QE RF (101.8803)	\$485
BTX 45QE-RF Li-ion (101.5503)	\$500
BTX 24V DC RF (101.9215)	\$650
BTX 24V DC 2-Wire (101.9220)	\$450
Somfy ST40 Quiet RTS (101.9565)	\$1,100
Somfy ST50 Quiet RTS (101.9542)	\$965
Somfy ST50 ULTRA AC RTS (101.9543)	\$1,050
Somfy ST50 ULTRA DC RTS (101.9551)	\$1,200
Rollese Q3.0 Li-ion Rechargeable Battery	\$950
Rollese Q3.0 Plug-in	\$1,200

Control Options

BTX Controls	
BTX Handsender 1 or 6-Channel White	\$125
BTX Wireless Wallswitch (2-Ch or 5-Ch)	\$150
BTX SmartConnect RS-232 Interface	\$350
Somfy Controls	
Somfy Situo RTS 1-Channel White	\$175
Somfy Situo RTS 5-Channel White	\$250
Somfy Telis RTS 1-Channel Pure	\$150
Somfy Telis RTS 5-Channel Pure	\$200
Somfy Telis RTS 1-Channel Silver or Lounge	\$275
Somfy Telis RTS 5-Channel Silver or Lounge	\$300
Somfy Decoflex 1-Channel Pure	\$350
Somfy Decoflex 5-Channel Pure	\$375

Control Options

Rollese Controls	
Rollese Recharger	\$100
Rollese Q2.0/3.0 Power Supply	\$250
Rollese 5-Channel Surface Mount Switch	\$150
Rollese 15-Channel Cut-in Switch	\$150
Rollese 1-Channel Cut-in Switch	\$150
Rollese Handsender Push 5-Channel Matte Black	\$200
Rollese Handsender Push 5-Channel Gloss White	\$200
Rollese Handsender 15-Channel White	\$170
Rollese Handsender 1-Channel White	\$150
Misc. Controls	
Extended Power Lead	\$30/foot

Hardware Options

Side Channel (Both Sides)	\$30/foot
Coulisse Absolute 2.0 Bracket System Upgrade	\$100

Fabric List *(See fabric index page 31-32 for Fabric Grid listing)*



Sorina® M Shades

Price Grid 7

Sorina M Manual Retail Pricing

HEIGHT		WIDTH								
		1ft.	2 ft.	3 ft.	4 ft.	5 ft.	6 ft.	7 ft.	8 ft.	9 ft.
Feet	Inches	12 in.	24 in.	36 in.	48 in.	60 in.	72 in.	84 in.	96 in.	108 in.
1 ft.	12 in.	\$129	\$184	\$239	\$295	\$350	\$405	\$461	\$516	\$571
2 ft.	24 in.	\$145	\$217	\$289	\$361	\$433	\$505	\$577	\$649	\$721
3 ft.	36 in.	\$162	\$251	\$339	\$428	\$516	\$605	\$693	\$782	\$870
4 ft.	48 in.	\$179	\$284	\$389	\$494	\$599	\$704	\$809	\$914	\$1,020
5 ft.	60 in.	\$195	\$317	\$439	\$560	\$682	\$804	\$926	\$1,047	\$1,169
6 ft.	72 in.	\$212	\$350	\$489	\$627	\$765	\$904	\$1,042	\$1,180	\$1,319
7 ft.	84 in.	\$228	\$383	\$538	\$693	\$848	\$1,003	\$1,158	\$1,313	\$1,468
8 ft.	96 in.	\$245	\$417	\$588	\$760	\$931	\$1,103	\$1,274	\$1,446	\$1,618
9 ft.	108 in.	\$262	\$450	\$638	\$826	\$1,014	\$1,203	\$1,391	\$1,579	\$1,767
10 ft.	120 in.	\$278	\$483	\$688	\$893	\$1,097	\$1,302	\$1,507	\$1,712	\$1,917
11 ft.	132 in.	\$295	\$516	\$738	\$959	\$1,181	\$1,402	\$1,623	\$1,845	\$2,066
12 ft.	144 in.	\$312	\$550	\$788	\$1,026	\$1,264	\$1,502	\$1,740	\$1,978	\$2,216

Surcharges

Feet	1 ft.	2 ft.	3 ft.	4 ft.	5 ft.	6 ft.	7 ft.	8 ft.	9 ft.
Inches	12 in.	24 in.	36 in.	48 in.	60 in.	72 in.	84 in.	96 in.	108 in.
4 in. Fascia	\$80	\$90	\$100	\$110	\$120	\$130	\$140	\$150	\$160
4 in. Backplate	\$85	\$100	\$115	\$130	\$145	\$160	\$175	\$190	\$205
4 in. Fascia & Backplate	\$95	\$120	\$145	\$170	\$195	\$220	\$245	\$270	\$295
Cassette	\$30	\$45	\$60	\$85	\$100	\$115	\$130	\$145	\$160
Sill Channel	\$15	\$30	\$45	\$60	\$75	\$90	\$105	\$120	\$135
Sill Angle	\$8	\$16	\$24	\$32	\$40	\$48	\$56	\$64	\$72
Shade Pocket	\$100	\$125	\$150	\$175	\$200	\$225	\$250	\$275	\$300
Pocket Hanger	\$10	\$20	\$30	\$40	\$50	\$60	\$70	\$80	\$90
Pocket Closure	\$15	\$30	\$45	\$60	\$75	\$90	\$105	\$120	\$135
External Hembar	\$0	\$0	\$0	\$0	\$0	\$0	\$0	\$0	\$0
Hanging Valance	\$30	\$60	\$90	\$120	\$150	\$180	\$210	\$240	\$270

Note: Cassette can come with or without fabric wrap.
 Note: Hanging valances are not available with returns.

Product Options and Surcharges

Motor Options

BTX 110V AC 45QE RF (101.8803)	\$485
BTX 45QE-RF Li-ion (101.5503)	\$500
BTX 24V DC RF (101.9215)	\$650
BTX 24V DC 2-Wire (101.9220)	\$450
Somfy ST40 Quiet RTS (101.9565)	\$1,100
Somfy ST50 Quiet RTS (101.9542)	\$965
Somfy ST50 ULTRA AC RTS (101.9543)	\$1,050
Somfy ST50 ULTRA DC RTS (101.9551)	\$1,200
Rollease Q3.0 Li-ion Rechargeable Battery	\$950
Rollease Q3.0 Plug-in	\$1,200

Control Options

BTX Controls	
BTX Handsender 1 or 6-Channel White	\$125
BTX Wireless Wallswitch (2-Ch or 5-Ch)	\$150
BTX SmartConnect RS-232 Interface	\$350
Somfy Controls	
Somfy Situo RTS 1-Channel White	\$175
Somfy Situo RTS 5-Channel White	\$250
Somfy Telis RTS 1-Channel Pure	\$150
Somfy Telis RTS 5-Channel Pure	\$200
Somfy Telis RTS 1-Channel Silver or Lounge	\$275
Somfy Telis RTS 5-Channel Silver or Lounge	\$300
Somfy Decoflex 1-Channel Pure	\$350
Somfy Decoflex 5-Channel Pure	\$375

Control Options

Rollease Controls	
Rollease Recharger	\$100
Rollease Q2.0/3.0 Power Supply	\$250
Rollease 5-Channel Surface Mount Switch	\$150
Rollease 15-Channel Cut-in Switch	\$150
Rollease 1-Channel Cut-in Switch	\$150
Rollease Handsender Push 5-Channel Matte Black	\$200
Rollease Handsender Push 5-Channel Gloss White	\$200
Rollease Handsender 15-Channel White	\$170
Rollease Handsender 1-Channel White	\$150
Misc. Controls	
Extended Power Lead	\$30/foot

Hardware Options

Side Channel (Both Sides)	\$30/foot
Coulisse Absolute 2.0 Bracket System Upgrade	\$100

Fabric List (See fabric index page 31-32 for Fabric Grid listing)



Sorina L systems feature a large 2.5 in. tube and hardware configuration for both manual and motorized shading systems. The larger hardware setup allows for wider and heavier systems. L-class systems are made available with all the same motor options found in the M-class section, but shades can be specified for bigger applications. If you have requirements outside of the range published here, please contact the factory to explore additional options.



L Class (Large) Manual Roller Shade System

- Max size: 13 ft. by 17 ft. (depending on fabric weight)
- 2.5 in. tube and bracket system
- 4 in. fascia options (depending on roll diameter)



L Class (Large) Motorized Roller Shade System

- AC, DC, and Battery Motorized system options
- Max size: 13 ft. by 17 ft. (depending on fabric weight)
- Max lifting capacity determined by motor (see page 41)
- 2.5 in. tube and bracket system
- 4 in. fascia options (depending on roll diameter)

What comes with the standard grid price?

Your BTX Intelligent Fashion Sorina L Roller Shade System comes with

- Fully fabricated manual Roller Shade system, built to your exact specifications
- Stainless Steel bead chain
- 2 in. hook mounting clutch and bracket system
- Fabric listed for the selected grid
- Sealed internal bottom bar (Depending on fabric. Some fabrics cannot use sealed bottom bar)

Important information regarding this system

- Motorized systems are available as an upcharge. (See product options and surcharges at the bottom of each pricing page).
- Control devices for motorized systems are sold separately! Please specify whether you want a handsender, wall switch, or other control method.
- Additional peripherals may be required based on your control scenario
- Please be prepared to answer the following questions about your system:
 - Clutch or Motor Side (left or right)
 - Roll direction (standard front roll or reverse roll)
 - Hardware color (white, vanilla, silver, or bronze)
 - How would you like the systems programmed, if motorized (we do program and test everything before shipping!)
 - Do you need any additional accessories like fascia, side channel, etc. for an upcharge.
- Railroading may be necessary based on size.
- Not all fabrics can be railroaded.
- If you require a larger size, you may need to move up to a Sorina XL class shade.
- Contact the factory for coupled shades.
- If you have a preference on packaging method (box or crate), please specify, otherwise we will select the safest and most economical method.

Contact factory for coupled systems.



Sorina L Manual Retail Pricing

Feet		WIDTH													
		1 ft.	2 ft.	3 ft.	4 ft.	5 ft.	6 ft.	7 ft.	8 ft.	9 ft.	10 ft.	11 ft.	12 ft.	13 ft.	
HEIGHT	Inches	12 in.	24 in.	36 in.	48 in.	60 in.	72 in.	84 in.	96 in.	108 in.	120 in.	132 in.	144 in.	156 in.	
	1 ft.	12 in.	\$129	\$156	\$182	\$209	\$235	\$262	\$289	\$315	\$342	\$368	\$395	\$422	\$448
	2 ft.	24 in.	\$133	\$162	\$192	\$222	\$252	\$282	\$312	\$342	\$372	\$402	\$431	\$461	\$491
	3 ft.	36 in.	\$136	\$169	\$202	\$235	\$269	\$302	\$335	\$368	\$402	\$435	\$468	\$501	\$534
	4 ft.	48 in.	\$139	\$176	\$212	\$249	\$285	\$322	\$358	\$395	\$431	\$468	\$505	\$541	\$578
	5 ft.	60 in.	\$142	\$182	\$222	\$262	\$302	\$342	\$382	\$422	\$461	\$501	\$541	\$581	\$621
	6 ft.	72 in.	\$146	\$189	\$232	\$275	\$319	\$362	\$405	\$448	\$491	\$534	\$578	\$621	\$664
	7 ft.	84 in.	\$149	\$196	\$242	\$289	\$335	\$382	\$428	\$475	\$521	\$568	\$614	\$661	\$707
	8 ft.	96 in.	\$152	\$202	\$252	\$302	\$352	\$402	\$451	\$501	\$551	\$601	\$651	\$701	\$750
	9 ft.	108 in.	\$156	\$209	\$262	\$315	\$368	\$422	\$475	\$528	\$581	\$634	\$687	\$740	\$794
	10 ft.	120 in.	\$159	\$216	\$272	\$329	\$385	\$441	\$498	\$554	\$611	\$667	\$724	\$780	\$837
	11 ft.	132 in.	\$162	\$222	\$282	\$342	\$402	\$461	\$521	\$581	\$641	\$701	\$760	\$820	\$880
	12 ft.	144 in.	\$166	\$229	\$292	\$355	\$418	\$481	\$544	\$608	\$671	\$734	\$797	\$860	\$923
	13 ft.	156 in.	\$169	\$235	\$302	\$368	\$435	\$501	\$568	\$634	\$701	\$767	\$833	\$900	\$966
	14 ft.	168 in.	\$172	\$242	\$312	\$382	\$451	\$521	\$591	\$661	\$730	\$800	\$870	\$940	\$1,010
	15 ft.	180 in.	\$176	\$249	\$322	\$395	\$468	\$541	\$614	\$687	\$760	\$833	\$907	\$980	\$1,053
	16 ft.	192 in.	\$179	\$255	\$332	\$408	\$485	\$561	\$637	\$714	\$790	\$867	\$943	\$1,020	\$1,096
17 ft.	204 in.	\$182	\$262	\$342	\$422	\$501	\$581	\$661	\$740	\$820	\$900	\$980	\$1,059	\$1,139	

Surcharges

Feet	1 ft.	2 ft.	3 ft.	4 ft.	5 ft.	6 ft.	7 ft.	8 ft.	9 ft.	10 ft.	11 ft.	12 ft.	13 ft.
Inches	12 in.	24 in.	36 in.	48 in.	60 in.	72 in.	84 in.	96 in.	108 in.	120 in.	132 in.	144 in.	156 in.
4 in. Fascia	\$80	\$90	\$100	\$110	\$120	\$130	\$140	\$150	\$160	\$170	\$180	\$190	\$200
4 in. Backplate	\$85	\$100	\$115	\$130	\$145	\$160	\$175	\$190	\$205	\$220	\$235	\$250	\$265
4 in. Fascia & Backplate	\$95	\$120	\$145	\$170	\$195	\$220	\$245	\$270	\$295	\$320	\$345	\$370	\$395
Sill Channel	\$15	\$30	\$45	\$60	\$75	\$90	\$105	\$120	\$135	\$150	\$165	\$180	\$195
Sill Angle	\$8	\$16	\$24	\$32	\$40	\$48	\$56	\$64	\$72	\$80	\$88	\$96	\$104
Shade Pocket	\$100	\$125	\$150	\$175	\$200	\$225	\$250	\$275	\$300	\$325	\$350	\$375	\$400
Pocket Hanger	\$10	\$20	\$30	\$40	\$50	\$60	\$70	\$80	\$90	\$100	\$110	\$120	\$130
Pocket Closure	\$15	\$30	\$45	\$60	\$75	\$90	\$105	\$120	\$135	\$150	\$165	\$180	\$195
External Hembar	\$0	\$0	\$0	\$0	\$0	\$0	\$0	\$0	\$0	\$0	\$0	\$0	\$0
Hanging Valance	\$30	\$60	\$90	\$120	\$150	\$180	\$210	\$240	\$270	\$300	\$330	\$360	\$390

Note: Hanging valances are not available with returns.

Product Options and Surcharges

Motor Options

BTX 110V AC 45QE RF (101.8803)	\$485
BTX 45QE-RF Li-ion (101.5503)	\$500
BTX 24V DC RF (101.9215)	\$650
BTX 24V DC 2-Wire (101.9220)	\$450
Somfy ST40 Quiet RTS (101.9565)	\$1,100
Somfy ST50 Quiet RTS (101.9542)	\$965
Somfy ST50 ULTRA AC RTS (101.9543)	\$1,050
Somfy ST50 ULTRA DC RTS (101.9551)	\$1,200
Rollease Q3.0 Li-ion Rechargeable Battery	\$950
Rollease Q3.0 Plug-in	\$1,200

Control Options

BTX Controls	
BTX Handsender 1 or 6-Channel White	\$125
BTX Wireless Wallswitch (2-Ch or 5-Ch)	\$150
BTX SmartConnect RS-232 Interface	\$350
Somfy Controls	
Somfy Situo RTS 1-Channel White	\$175
Somfy Situo RTS 5-Channel White	\$250
Somfy Telis RTS 1-Channel Pure	\$150
Somfy Telis RTS 5-Channel Pure	\$200
Somfy Telis RTS 1-Channel Silver or Lounge	\$275
Somfy Telis RTS 5-Channel Silver or Lounge	\$300
Somfy Decoflex 1-Channel Pure	\$350
Somfy Decoflex 5-Channel Pure	\$375

Control Options

Rollease Controls	
Rollease Recharger	\$100
Rollease Q2.0/3.0 Power Supply	\$250
Rollease 5-Channel Surface Mount Switch	\$150
Rollease 15-Channel Cut-in Switch	\$150
Rollease 1-Channel Cut-in Switch	\$150
Rollease Handsender Push 5-Channel Matte Black	\$200
Rollease Handsender Push 5-Channel Gloss White	\$200
Rollease Handsender 15-Channel White	\$170
Rollease Handsender 1-Channel White	\$150
Misc. Controls	
Extended Power Lead	\$30/foot

Hardware Options

Side Channel (Both Sides)	\$30/foot
---------------------------	-----------

Fabric List [\(See fabric index page 31-32 for Fabric Grid listing\)](#)



Sorina L Manual Retail Pricing

Feet		WIDTH													
		1ft.	2 ft.	3 ft.	4 ft.	5 ft.	6 ft.	7 ft.	8 ft.	9 ft.	10 ft.	11 ft.	12 ft.	13 ft.	
HEIGHT	Inches	12 in.	24 in.	36 in.	48 in.	60 in.	72 in.	84 in.	96 in.	108 in.	120 in.	132 in.	144 in.	156 in.	
	1 ft.	12 in.	\$133	\$164	\$195	\$226	\$256	\$287	\$318	\$348	\$379	\$410	\$441	\$471	\$502
	2 ft.	24 in.	\$138	\$174	\$210	\$245	\$281	\$317	\$353	\$388	\$424	\$460	\$495	\$531	\$567
	3 ft.	36 in.	\$143	\$184	\$225	\$265	\$306	\$347	\$387	\$428	\$469	\$510	\$550	\$591	\$632
	4 ft.	48 in.	\$148	\$194	\$240	\$285	\$331	\$377	\$422	\$468	\$514	\$559	\$605	\$651	\$696
	5 ft.	60 in.	\$153	\$204	\$255	\$305	\$356	\$407	\$457	\$508	\$559	\$609	\$660	\$711	\$761
	6 ft.	72 in.	\$158	\$214	\$270	\$325	\$381	\$436	\$492	\$548	\$603	\$659	\$715	\$770	\$826
	7 ft.	84 in.	\$163	\$224	\$284	\$345	\$406	\$466	\$527	\$588	\$648	\$709	\$770	\$830	\$891
	8 ft.	96 in.	\$168	\$234	\$299	\$365	\$431	\$496	\$562	\$628	\$693	\$759	\$824	\$890	\$956
	9 ft.	108 in.	\$173	\$244	\$314	\$385	\$456	\$526	\$597	\$667	\$738	\$809	\$879	\$950	\$1,020
	10 ft.	120 in.	\$178	\$254	\$329	\$405	\$481	\$556	\$632	\$707	\$783	\$858	\$934	\$1,010	\$1,085
	11 ft.	132 in.	\$183	\$264	\$344	\$425	\$505	\$586	\$667	\$747	\$828	\$908	\$989	\$1,069	\$1,150
	12 ft.	144 in.	\$188	\$274	\$359	\$445	\$530	\$616	\$701	\$787	\$873	\$958	\$1,044	\$1,129	\$1,215
	13 ft.	156 in.	\$193	\$284	\$374	\$465	\$555	\$646	\$736	\$827	\$917	\$1,008	\$1,098	\$1,189	\$1,280
	14 ft.	168 in.	\$198	\$294	\$389	\$485	\$580	\$676	\$771	\$867	\$962	\$1,058	\$1,153	\$1,249	\$1,344
	15 ft.	180 in.	\$203	\$304	\$404	\$505	\$605	\$706	\$806	\$907	\$1,007	\$1,108	\$1,208	\$1,309	\$1,409
	16 ft.	192 in.	\$208	\$314	\$419	\$525	\$630	\$735	\$841	\$946	\$1,052	\$1,157	\$1,263	\$1,368	\$1,474
17 ft.	204 in.	\$213	\$324	\$434	\$544	\$655	\$765	\$876	\$986	\$1,097	\$1,207	\$1,318	\$1,428	\$1,539	

Surcharges

Feet	1 ft.	2 ft.	3 ft.	4 ft.	5 ft.	6 ft.	7 ft.	8 ft.	9 ft.	10 ft.	11 ft.	12 ft.	13 ft.
Inches	12 in.	24 in.	36 in.	48 in.	60 in.	72 in.	84 in.	96 in.	108 in.	120 in.	132 in.	144 in.	156 in.
4 in. Fascia	\$80	\$90	\$100	\$110	\$120	\$130	\$140	\$150	\$160	\$170	\$180	\$190	\$200
4 in. Backplate	\$85	\$100	\$115	\$130	\$145	\$160	\$175	\$190	\$205	\$220	\$235	\$250	\$265
4 in. Fascia & Backplate	\$95	\$120	\$145	\$170	\$195	\$220	\$245	\$270	\$295	\$320	\$345	\$370	\$395
Sill Channel	\$15	\$30	\$45	\$60	\$75	\$90	\$105	\$120	\$135	\$150	\$165	\$180	\$195
Sill Angle	\$8	\$16	\$24	\$32	\$40	\$48	\$56	\$64	\$72	\$80	\$88	\$96	\$104
Shade Pocket	\$100	\$125	\$150	\$175	\$200	\$225	\$250	\$275	\$300	\$325	\$350	\$375	\$400
Pocket Hanger	\$10	\$20	\$30	\$40	\$50	\$60	\$70	\$80	\$90	\$100	\$110	\$120	\$130
Pocket Closure	\$15	\$30	\$45	\$60	\$75	\$90	\$105	\$120	\$135	\$150	\$165	\$180	\$195
External Hembar	\$0	\$0	\$0	\$0	\$0	\$0	\$0	\$0	\$0	\$0	\$0	\$0	\$0
Hanging Valance	\$30	\$60	\$90	\$120	\$150	\$180	\$210	\$240	\$270	\$300	\$330	\$360	\$390

Note: Hanging valances are not available with returns.

Product Options and Surcharges

Motor Options

BTX 110V AC 45QE RF (101.8803)	\$485
BTX 45QE-RF Li-ion (101.5503)	\$500
BTX 24V DC RF (101.9215)	\$650
BTX 24V DC 2-Wire (101.9220)	\$450
Somfy ST40 Quiet RTS (101.9565)	\$1,100
Somfy ST50 Quiet RTS (101.9542)	\$965
Somfy ST50 ULTRA AC RTS (101.9543)	\$1,050
Somfy ST50 ULTRA DC RTS (101.9551)	\$1,200
Rollese Q3.0 Li-ion Rechargeable Battery	\$950
Rollese Q3.0 Plug-in	\$1,200

Control Options

BTX Controls	
BTX Handsender 1 or 6-Channel White	\$125
BTX Wireless Wallswitch (2-Ch or 5-Ch)	\$150
BTX SmartConnect RS-232 Interface	\$350
Somfy Controls	
Somfy Situo RTS 1-Channel White	\$175
Somfy Situo RTS 5-Channel White	\$250
Somfy Telis RTS 1-Channel Pure	\$150
Somfy Telis RTS 5-Channel Pure	\$200
Somfy Telis RTS 1-Channel Silver or Lounge	\$275
Somfy Telis RTS 5-Channel Silver or Lounge	\$300
Somfy Decoflex 1-Channel Pure	\$350
Somfy Decoflex 5-Channel Pure	\$375

Control Options

Rollese Controls	
Rollese Recharger	\$100
Rollese Q2.0/3.0 Power Supply	\$250
Rollese 5-Channel Surface Mount Switch	\$150
Rollese 15-Channel Cut-in Switch	\$150
Rollese 1-Channel Cut-in Switch	\$150
Rollese Handsender Push 5-Channel Matte Black	\$200
Rollese Handsender Push 5-Channel Gloss White	\$200
Rollese Handsender 15-Channel White	\$170
Rollese Handsender 1-Channel White	\$150
Misc. Controls	
Extended Power Lead	\$30/foot

Hardware Options

Side Channel (Both Sides)	\$30/foot
---------------------------	-----------

Fabric List *(See fabric index page 31-32 for Fabric Grid listing)*



Sorina® L Shades

Price Grid 3

Sorina L Manual Retail Pricing

HEIGHT		WIDTH													
		1 ft.	2 ft.	3 ft.	4 ft.	5 ft.	6 ft.	7 ft.	8 ft.	9 ft.	10 ft.	11 ft.	12 ft.	13 ft.	
Feet	Inches	12 in.	24 in.	36 in.	48 in.	60 in.	72 in.	84 in.	96 in.	108 in.	120 in.	132 in.	144 in.	156 in.	
1 ft.	12 in.	\$137	\$172	\$207	\$242	\$277	\$312	\$347	\$382	\$417	\$451	\$486	\$521	\$556	
2 ft.	24 in.	\$144	\$186	\$227	\$269	\$310	\$352	\$393	\$435	\$476	\$518	\$559	\$601	\$642	
3 ft.	36 in.	\$151	\$199	\$247	\$295	\$343	\$392	\$440	\$488	\$536	\$584	\$632	\$681	\$729	
4 ft.	48 in.	\$157	\$212	\$267	\$322	\$377	\$431	\$486	\$541	\$596	\$651	\$706	\$760	\$815	
5 ft.	60 in.	\$164	\$226	\$287	\$348	\$410	\$471	\$533	\$594	\$656	\$717	\$779	\$840	\$902	
6 ft.	72 in.	\$171	\$239	\$307	\$375	\$443	\$511	\$579	\$647	\$716	\$784	\$852	\$920	\$988	
7 ft.	84 in.	\$177	\$252	\$327	\$402	\$476	\$551	\$626	\$701	\$775	\$850	\$925	\$1,000	\$1,074	
8 ft.	96 in.	\$184	\$265	\$347	\$428	\$510	\$591	\$672	\$754	\$835	\$917	\$998	\$1,079	\$1,161	
9 ft.	108 in.	\$191	\$279	\$367	\$455	\$543	\$631	\$719	\$807	\$895	\$983	\$1,071	\$1,159	\$1,247	
10 ft.	120 in.	\$197	\$292	\$387	\$481	\$576	\$671	\$765	\$860	\$955	\$1,049	\$1,144	\$1,239	\$1,333	
11 ft.	132 in.	\$204	\$305	\$407	\$508	\$609	\$711	\$812	\$913	\$1,015	\$1,116	\$1,217	\$1,319	\$1,420	
12 ft.	144 in.	\$211	\$319	\$427	\$534	\$642	\$750	\$858	\$966	\$1,074	\$1,182	\$1,290	\$1,398	\$1,506	
13 ft.	156 in.	\$217	\$332	\$446	\$561	\$676	\$790	\$905	\$1,020	\$1,134	\$1,249	\$1,363	\$1,478	\$1,593	
14 ft.	168 in.	\$224	\$345	\$466	\$588	\$709	\$830	\$951	\$1,073	\$1,194	\$1,315	\$1,436	\$1,558	\$1,679	
15 ft.	180 in.	\$231	\$358	\$486	\$614	\$742	\$870	\$998	\$1,126	\$1,254	\$1,382	\$1,510	\$1,637	\$1,765	
16 ft.	192 in.	\$237	\$372	\$506	\$641	\$775	\$910	\$1,044	\$1,179	\$1,314	\$1,448	\$1,583	\$1,717	\$1,852	
17 ft.	204 in.	\$244	\$385	\$526	\$667	\$809	\$950	\$1,091	\$1,232	\$1,373	\$1,515	\$1,656	\$1,797	\$1,938	

Surcharges

Feet	1 ft.	2 ft.	3 ft.	4 ft.	5 ft.	6 ft.	7 ft.	8 ft.	9 ft.	10 ft.	11 ft.	12 ft.	13 ft.
Inches	12 in.	24 in.	36 in.	48 in.	60 in.	72 in.	84 in.	96 in.	108 in.	120 in.	132 in.	144 in.	156 in.
4 in. Fascia	\$80	\$90	\$100	\$110	\$120	\$130	\$140	\$150	\$160	\$170	\$180	\$190	\$200
4 in. Backplate	\$85	\$100	\$115	\$130	\$145	\$160	\$175	\$190	\$205	\$220	\$235	\$250	\$265
4 in. Fascia & Backplate	\$95	\$120	\$145	\$170	\$195	\$220	\$245	\$270	\$295	\$320	\$345	\$370	\$395
Sill Channel	\$15	\$30	\$45	\$60	\$75	\$90	\$105	\$120	\$135	\$150	\$165	\$180	\$195
Sill Angle	\$8	\$16	\$24	\$32	\$40	\$48	\$56	\$64	\$72	\$80	\$88	\$96	\$104
Shade Pocket	\$100	\$125	\$150	\$175	\$200	\$225	\$250	\$275	\$300	\$325	\$350	\$375	\$400
Pocket Hanger	\$10	\$20	\$30	\$40	\$50	\$60	\$70	\$80	\$90	\$100	\$110	\$120	\$130
Pocket Closure	\$15	\$30	\$45	\$60	\$75	\$90	\$105	\$120	\$135	\$150	\$165	\$180	\$195
External Hembar	\$0	\$0	\$0	\$0	\$0	\$0	\$0	\$0	\$0	\$0	\$0	\$0	\$0
Hanging Valance	\$30	\$60	\$90	\$120	\$150	\$180	\$210	\$240	\$270	\$300	\$330	\$360	\$390

Note: Hanging valances are not available with returns.

Product Options and Surcharges

Motor Options

BTX 110V AC 45QE RF (101.8803)	\$485
BTX 45QE-RF Li-ion (101.5503)	\$500
BTX 24V DC RF (101.9215)	\$650
BTX 24V DC 2-Wire (101.9220)	\$450
Somfy ST40 Quiet RTS (101.9565)	\$1,100
Somfy ST50 Quiet RTS (101.9542)	\$965
Somfy ST50 ULTRA AC RTS (101.9543)	\$1,050
Somfy ST50 ULTRA DC RTS (101.9551)	\$1,200
Rollease Q3.0 Li-ion Rechargeable Battery	\$950
Rollease Q3.0 Plug-in	\$1,200

Control Options

BTX Controls	
BTX Handsender 1 or 6-Channel White	\$125
BTX Wireless Wallswitch (2-Ch or 5-Ch)	\$150
BTX SmartConnect RS-232 Interface	\$350
Somfy Controls	
Somfy Situo RTS 1-Channel White	\$175
Somfy Situo RTS 5-Channel White	\$250
Somfy Telis RTS 1-Channel Pure	\$150
Somfy Telis RTS 5-Channel Pure	\$200
Somfy Telis RTS 1-Channel Silver or Lounge	\$275
Somfy Telis RTS 5-Channel Silver or Lounge	\$300
Somfy Decoflex 1-Channel Pure	\$350
Somfy Decoflex 5-Channel Pure	\$375

Control Options

Rollease Controls	
Rollease Recharger	\$100
Rollease Q2.0/3.0 Power Supply	\$250
Rollease 5-Channel Surface Mount Switch	\$150
Rollease 15-Channel Cut-in Switch	\$150
Rollease 1-Channel Cut-in Switch	\$150
Rollease Handsender Push 5-Channel Matte Black	\$200
Rollease Handsender Push 5-Channel Gloss White	\$200
Rollease Handsender 15-Channel White	\$170
Rollease Handsender 1-Channel White	\$150
Misc. Controls	
Extended Power Lead	\$30/foot

Hardware Options

Side Channel (Both Sides)	\$30/foot
---------------------------	-----------

Fabric List *(See fabric index page 31-32 for Fabric Grid listing)*



Sorina® L Shades

Price Grid 4

Sorina L Manual Retail Pricing

Feet		WIDTH												
		1ft.	2 ft.	3 ft.	4 ft.	5 ft.	6 ft.	7 ft.	8 ft.	9 ft.	10 ft.	11 ft.	12 ft.	13 ft.
HEIGHT	Inches	12 in.	24 in.	36 in.	48 in.	60 in.	72 in.	84 in.	96 in.	108 in.	120 in.	132 in.	144 in.	156 in.
	1 ft.	12 in.	\$142	\$181	\$220	\$259	\$298	\$337	\$376	\$415	\$454	\$493	\$532	\$571
2 ft.	24 in.	\$150	\$197	\$245	\$292	\$339	\$387	\$434	\$481	\$529	\$576	\$623	\$671	\$718
3 ft.	36 in.	\$158	\$214	\$270	\$325	\$381	\$436	\$492	\$548	\$603	\$659	\$715	\$770	\$826
4 ft.	48 in.	\$167	\$231	\$294	\$358	\$422	\$486	\$550	\$614	\$678	\$742	\$806	\$870	\$934
5 ft.	60 in.	\$175	\$247	\$319	\$392	\$464	\$536	\$608	\$681	\$753	\$825	\$897	\$970	\$1,042
6 ft.	72 in.	\$183	\$264	\$344	\$425	\$505	\$586	\$667	\$747	\$828	\$908	\$989	\$1,069	\$1,150
7 ft.	84 in.	\$191	\$280	\$369	\$458	\$547	\$636	\$725	\$814	\$902	\$991	\$1,080	\$1,169	\$1,258
8 ft.	96 in.	\$200	\$297	\$394	\$491	\$588	\$686	\$783	\$880	\$977	\$1,074	\$1,172	\$1,269	\$1,366
9 ft.	108 in.	\$208	\$314	\$419	\$525	\$630	\$735	\$841	\$946	\$1,052	\$1,157	\$1,263	\$1,368	\$1,474
10 ft.	120 in.	\$216	\$330	\$444	\$558	\$672	\$785	\$899	\$1,013	\$1,127	\$1,240	\$1,354	\$1,468	\$1,582
11 ft.	132 in.	\$225	\$347	\$469	\$591	\$713	\$835	\$957	\$1,079	\$1,201	\$1,324	\$1,446	\$1,568	\$1,690
12 ft.	144 in.	\$233	\$363	\$494	\$624	\$755	\$885	\$1,015	\$1,146	\$1,276	\$1,407	\$1,537	\$1,667	\$1,798
13 ft.	156 in.	\$241	\$380	\$519	\$657	\$796	\$935	\$1,074	\$1,212	\$1,351	\$1,490	\$1,628	\$1,767	\$1,906
14 ft.	168 in.	\$250	\$397	\$544	\$691	\$838	\$985	\$1,132	\$1,279	\$1,426	\$1,573	\$1,720	\$1,867	\$2,014
15 ft.	180 in.	\$258	\$413	\$569	\$724	\$879	\$1,035	\$1,190	\$1,345	\$1,500	\$1,656	\$1,811	\$1,966	\$2,122
16 ft.	192 in.	\$266	\$430	\$593	\$757	\$921	\$1,084	\$1,248	\$1,412	\$1,575	\$1,739	\$1,902	\$2,066	\$2,230
17 ft.	204 in.	\$275	\$446	\$618	\$790	\$962	\$1,134	\$1,306	\$1,478	\$1,650	\$1,822	\$1,994	\$2,166	\$2,338

Surcharges

Feet	1 ft.	2 ft.	3 ft.	4 ft.	5 ft.	6 ft.	7 ft.	8 ft.	9 ft.	10 ft.	11 ft.	12 ft.	13 ft.
Inches	12 in.	24 in.	36 in.	48 in.	60 in.	72 in.	84 in.	96 in.	108 in.	120 in.	132 in.	144 in.	156 in.
4 in. Fascia	\$80	\$90	\$100	\$110	\$120	\$130	\$140	\$150	\$160	\$170	\$180	\$190	\$200
4 in. Backplate	\$85	\$100	\$115	\$130	\$145	\$160	\$175	\$190	\$205	\$220	\$235	\$250	\$265
4 in. Fascia & Backplate	\$95	\$120	\$145	\$170	\$195	\$220	\$245	\$270	\$295	\$320	\$345	\$370	\$395
Sill Channel	\$15	\$30	\$45	\$60	\$75	\$90	\$105	\$120	\$135	\$150	\$165	\$180	\$195
Sill Angle	\$8	\$16	\$24	\$32	\$40	\$48	\$56	\$64	\$72	\$80	\$88	\$96	\$104
Shade Pocket	\$100	\$125	\$150	\$175	\$200	\$225	\$250	\$275	\$300	\$325	\$350	\$375	\$400
Pocket Hanger	\$10	\$20	\$30	\$40	\$50	\$60	\$70	\$80	\$90	\$100	\$110	\$120	\$130
Pocket Closure	\$15	\$30	\$45	\$60	\$75	\$90	\$105	\$120	\$135	\$150	\$165	\$180	\$195
External Hembar	\$0	\$0	\$0	\$0	\$0	\$0	\$0	\$0	\$0	\$0	\$0	\$0	\$0
Hanging Valance	\$30	\$60	\$90	\$120	\$150	\$180	\$210	\$240	\$270	\$300	\$330	\$360	\$390

Note: Hanging valances are not available with returns.

Product Options and Surcharges

Motor Options

BTX 110V AC 45QE RF (101.8803)	\$485
BTX 45QE-RF Li-ion (101.5503)	\$500
BTX 24V DC RF (101.9215)	\$650
BTX 24V DC 2-Wire (101.9220)	\$450
Somfy ST40 Quiet RTS (101.9565)	\$1,100
Somfy ST50 Quiet RTS (101.9542)	\$965
Somfy ST50 ULTRA AC RTS (101.9543)	\$1,050
Somfy ST50 ULTRA DC RTS (101.9551)	\$1,200
Rollease Q3.0 Li-ion Rechargeable Battery	\$950
Rollease Q3.0 Plug-in	\$1,200

Control Options

BTX Controls	
BTX Handsender 1 or 6-Channel White	\$125
BTX Wireless Wallswitch (2-Ch or 5-Ch)	\$150
BTX SmartConnect RS-232 Interface	\$350
Somfy Controls	
Somfy Situo RTS 1-Channel White	\$175
Somfy Situo RTS 5-Channel White	\$250
Somfy Telis RTS 1-Channel Pure	\$150
Somfy Telis RTS 5-Channel Pure	\$200
Somfy Telis RTS 1-Channel Silver or Lounge	\$275
Somfy Telis RTS 5-Channel Silver or Lounge	\$300
Somfy Decoflex 1-Channel Pure	\$350
Somfy Decoflex 5-Channel Pure	\$375

Control Options

Rollease Controls	
Rollease Recharger	\$100
Rollease Q2.0/3.0 Power Supply	\$250
Rollease 5-Channel Surface Mount Switch	\$150
Rollease 15-Channel Cut-in Switch	\$150
Rollease 1-Channel Cut-in Switch	\$150
Rollease Handsender Push 5-Channel Matte Black	\$200
Rollease Handsender Push 5-Channel Gloss White	\$200
Rollease Handsender 15-Channel White	\$170
Rollease Handsender 1-Channel White	\$150
Misc. Controls	
Extended Power Lead	\$30/foot

Hardware Options

Side Channel (Both Sides)	\$30/foot
---------------------------------	-----------

Fabric List (See fabric index page 31-32 for Fabric Grid listing)



Sorina® L Shades

Price Grid 5

Sorina L Manual Retail Pricing

		WIDTH													
Feet															
	Inches	12 in.	24 in.	36 in.	48 in.	60 in.	72 in.	84 in.	96 in.	108 in.	120 in.	132 in.	144 in.	156 in.	
HEIGHT	1 ft.	12 in.	\$146	\$189	\$232	\$275	\$319	\$362	\$405	\$448	\$491	\$534	\$578	\$621	\$664
	2 ft.	24 in.	\$156	\$209	\$262	\$315	\$368	\$422	\$475	\$528	\$581	\$634	\$687	\$740	\$794
	3 ft.	36 in.	\$166	\$229	\$292	\$355	\$418	\$481	\$544	\$608	\$671	\$734	\$797	\$860	\$923
	4 ft.	48 in.	\$176	\$249	\$322	\$395	\$468	\$541	\$614	\$687	\$760	\$833	\$907	\$980	\$1,053
	5 ft.	60 in.	\$186	\$269	\$352	\$435	\$518	\$601	\$684	\$767	\$850	\$933	\$1,016	\$1,099	\$1,182
	6 ft.	72 in.	\$196	\$289	\$382	\$475	\$568	\$661	\$754	\$847	\$940	\$1,033	\$1,126	\$1,219	\$1,312
	7 ft.	84 in.	\$206	\$309	\$412	\$515	\$618	\$721	\$824	\$927	\$1,030	\$1,133	\$1,235	\$1,338	\$1,441
	8 ft.	96 in.	\$216	\$329	\$441	\$554	\$667	\$780	\$893	\$1,006	\$1,119	\$1,232	\$1,345	\$1,458	\$1,571
	9 ft.	108 in.	\$226	\$348	\$471	\$594	\$717	\$840	\$963	\$1,086	\$1,209	\$1,332	\$1,455	\$1,578	\$1,701
	10 ft.	120 in.	\$235	\$368	\$501	\$634	\$767	\$900	\$1,033	\$1,166	\$1,299	\$1,432	\$1,564	\$1,697	\$1,830
	11 ft.	132 in.	\$245	\$388	\$531	\$674	\$817	\$960	\$1,103	\$1,245	\$1,388	\$1,531	\$1,674	\$1,817	\$1,960
	12 ft.	144 in.	\$255	\$408	\$561	\$714	\$867	\$1,020	\$1,172	\$1,325	\$1,478	\$1,631	\$1,784	\$1,937	\$2,089
	13 ft.	156 in.	\$265	\$428	\$591	\$754	\$917	\$1,079	\$1,242	\$1,405	\$1,568	\$1,731	\$1,893	\$2,056	\$2,219
	14 ft.	168 in.	\$275	\$448	\$621	\$794	\$966	\$1,139	\$1,312	\$1,485	\$1,657	\$1,830	\$2,003	\$2,176	\$2,348
	15 ft.	180 in.	\$285	\$468	\$651	\$834	\$1,016	\$1,199	\$1,382	\$1,564	\$1,747	\$1,930	\$2,113	\$2,295	\$2,478
	16 ft.	192 in.	\$295	\$488	\$681	\$873	\$1,066	\$1,259	\$1,451	\$1,644	\$1,837	\$2,030	\$2,222	\$2,415	\$2,608
	17 ft.	204 in.	\$305	\$508	\$711	\$913	\$1,116	\$1,319	\$1,521	\$1,724	\$1,927	\$2,129	\$2,332	\$2,535	\$2,737

Surcharges

Feet	1 ft.	2 ft.	3 ft.	4 ft.	5 ft.	6 ft.	7 ft.	8 ft.	9 ft.	10 ft.	11 ft.	12 ft.	13 ft.
Inches	12 in.	24 in.	36 in.	48 in.	60 in.	72 in.	84 in.	96 in.	108 in.	120 in.	132 in.	144 in.	156 in.
4 in. Fascia	\$80	\$90	\$100	\$110	\$120	\$130	\$140	\$150	\$160	\$170	\$180	\$190	\$200
4 in. Backplate	\$85	\$100	\$115	\$130	\$145	\$160	\$175	\$190	\$205	\$220	\$235	\$250	\$265
4 in. Fascia & Backplate	\$95	\$120	\$145	\$170	\$195	\$220	\$245	\$270	\$295	\$320	\$345	\$370	\$395
Sill Channel	\$15	\$30	\$45	\$60	\$75	\$90	\$105	\$120	\$135	\$150	\$165	\$180	\$195
Sill Angle	\$8	\$16	\$24	\$32	\$40	\$48	\$56	\$64	\$72	\$80	\$88	\$96	\$104
Shade Pocket	\$100	\$125	\$150	\$175	\$200	\$225	\$250	\$275	\$300	\$325	\$350	\$375	\$400
Pocket Hanger	\$10	\$20	\$30	\$40	\$50	\$60	\$70	\$80	\$90	\$100	\$110	\$120	\$130
Pocket Closure	\$15	\$30	\$45	\$60	\$75	\$90	\$105	\$120	\$135	\$150	\$165	\$180	\$195
External Hembar	\$0	\$0	\$0	\$0	\$0	\$0	\$0	\$0	\$0	\$0	\$0	\$0	\$0
Hanging Valance	\$30	\$60	\$90	\$120	\$150	\$180	\$210	\$240	\$270	\$300	\$330	\$360	\$390

Note: Hanging valances are not available with returns.

Product Options and Surcharges

Motor Options

BTX 110V AC 45QE RF (101.8803)	\$485
BTX 45QE-RF Li-ion (101.5503)	\$500
BTX 24V DC RF (101.9215)	\$650
BTX 24V DC 2-Wire (101.9220)	\$450
Somfy ST40 Quiet RTS (101.9565)	\$1,100
Somfy ST50 Quiet RTS (101.9542)	\$965
Somfy ST50 ULTRA AC RTS (101.9543)	\$1,050
Somfy ST50 ULTRA DC RTS (101.9551)	\$1,200
Rollease Q3.0 Li-ion Rechargeable Battery	\$950
Rollease Q3.0 Plug-in	\$1,200

Control Options

BTX Controls	
BTX Handsender 1 or 6-Channel White	\$125
BTX Wireless Wallswitch (2-Ch or 5-Ch)	\$150
BTX SmartConnect RS-232 Interface	\$350
Somfy Controls	
Somfy Situo RTS 1-Channel White	\$175
Somfy Situo RTS 5-Channel White	\$250
Somfy Telis RTS 1-Channel Pure	\$150
Somfy Telis RTS 5-Channel Pure	\$200
Somfy Telis RTS 1-Channel Silver or Lounge	\$275
Somfy Telis RTS 5-Channel Silver or Lounge	\$300
Somfy Decoflex 1-Channel Pure	\$350
Somfy Decoflex 5-Channel Pure	\$375

Control Options

Rollease Controls	
Rollease Recharger	\$100
Rollease Q2.0/3.0 Power Supply	\$250
Rollease 5-Channel Surface Mount Switch	\$150
Rollease 15-Channel Cut-in Switch	\$150
Rollease 1-Channel Cut-in Switch	\$150
Rollease Handsender Push 5-Channel Matte Black	\$200
Rollease Handsender Push 5-Channel Gloss White	\$200
Rollease Handsender 15-Channel White	\$170
Rollease Handsender 1-Channel White	\$150
Misc. Controls	
Extended Power Lead	\$30/foot

Hardware Options

Side Channel (Both Sides)	\$30/foot
---------------------------	-----------

Fabric List [\(See fabric index page 31-32 for Fabric Grid listing\)](#)



Sorina® L Shades

Price Grid 6

Sorina L Manual Retail Pricing

Feet		WIDTH													
		1 ft.	2 ft.	3 ft.	4 ft.	5 ft.	6 ft.	7 ft.	8 ft.	9 ft.	10 ft.	11 ft.	12 ft.	13 ft.	
HEIGHT	Inches	12 in.	24 in.	36 in.	48 in.	60 in.	72 in.	84 in.	96 in.	108 in.	120 in.	132 in.	144 in.	156 in.	
	1 ft.	12 in.	\$154	\$206	\$257	\$309	\$360	\$412	\$463	\$515	\$566	\$618	\$669	\$721	\$772
	2 ft.	24 in.	\$167	\$232	\$297	\$362	\$427	\$491	\$556	\$621	\$686	\$750	\$815	\$880	\$945
	3 ft.	36 in.	\$181	\$259	\$337	\$415	\$493	\$571	\$649	\$727	\$805	\$883	\$961	\$1,039	\$1,118
	4 ft.	48 in.	\$194	\$285	\$377	\$468	\$559	\$651	\$742	\$833	\$925	\$1,016	\$1,108	\$1,199	\$1,290
	5 ft.	60 in.	\$207	\$312	\$417	\$521	\$626	\$731	\$835	\$940	\$1,044	\$1,149	\$1,254	\$1,358	\$1,463
	6 ft.	72 in.	\$221	\$338	\$456	\$574	\$692	\$810	\$928	\$1,046	\$1,164	\$1,282	\$1,400	\$1,518	\$1,636
	7 ft.	84 in.	\$234	\$365	\$496	\$628	\$759	\$890	\$1,021	\$1,152	\$1,284	\$1,415	\$1,546	\$1,677	\$1,809
	8 ft.	96 in.	\$247	\$392	\$536	\$681	\$825	\$970	\$1,114	\$1,259	\$1,403	\$1,548	\$1,692	\$1,837	\$1,981
	9 ft.	108 in.	\$260	\$418	\$576	\$734	\$892	\$1,049	\$1,207	\$1,365	\$1,523	\$1,681	\$1,838	\$1,996	\$2,154
	10 ft.	120 in.	\$274	\$445	\$616	\$787	\$958	\$1,129	\$1,300	\$1,471	\$1,642	\$1,814	\$1,985	\$2,156	\$2,327
	11 ft.	132 in.	\$287	\$471	\$656	\$840	\$1,025	\$1,209	\$1,393	\$1,578	\$1,762	\$1,946	\$2,131	\$2,315	\$2,500
	12 ft.	144 in.	\$300	\$498	\$696	\$893	\$1,091	\$1,289	\$1,486	\$1,684	\$1,882	\$2,079	\$2,277	\$2,475	\$2,672
	13 ft.	156 in.	\$314	\$525	\$736	\$946	\$1,157	\$1,368	\$1,579	\$1,790	\$2,001	\$2,212	\$2,423	\$2,634	\$2,845
	14 ft.	168 in.	\$327	\$551	\$775	\$1,000	\$1,224	\$1,448	\$1,672	\$1,897	\$2,121	\$2,345	\$2,569	\$2,794	\$3,018
	15 ft.	180 in.	\$340	\$578	\$815	\$1,053	\$1,290	\$1,528	\$1,765	\$2,003	\$2,241	\$2,478	\$2,716	\$2,953	\$3,191
	16 ft.	192 in.	\$353	\$604	\$855	\$1,106	\$1,357	\$1,608	\$1,858	\$2,109	\$2,360	\$2,611	\$2,862	\$3,113	\$3,363
17 ft.	204 in.	\$367	\$631	\$895	\$1,159	\$1,423	\$1,687	\$1,951	\$2,216	\$2,480	\$2,744	\$3,008	\$3,272	\$3,536	

Surcharges

Feet	1 ft.	2 ft.	3 ft.	4 ft.	5 ft.	6 ft.	7 ft.	8 ft.	9 ft.	10 ft.	11 ft.	12 ft.	13 ft.
Inches	12 in.	24 in.	36 in.	48 in.	60 in.	72 in.	84 in.	96 in.	108 in.	120 in.	132 in.	144 in.	156 in.
4 in. Fascia	\$80	\$90	\$100	\$110	\$120	\$130	\$140	\$150	\$160	\$170	\$180	\$190	\$200
4 in. Backplate	\$85	\$100	\$115	\$130	\$145	\$160	\$175	\$190	\$205	\$220	\$235	\$250	\$265
4 in. Fascia & Backplate	\$95	\$120	\$145	\$170	\$195	\$220	\$245	\$270	\$295	\$320	\$345	\$370	\$395
Sill Channel	\$15	\$30	\$45	\$60	\$75	\$90	\$105	\$120	\$135	\$150	\$165	\$180	\$195
Sill Angle	\$8	\$16	\$24	\$32	\$40	\$48	\$56	\$64	\$72	\$80	\$88	\$96	\$104
Shade Pocket	\$100	\$125	\$150	\$175	\$200	\$225	\$250	\$275	\$300	\$325	\$350	\$375	\$400
Pocket Hanger	\$10	\$20	\$30	\$40	\$50	\$60	\$70	\$80	\$90	\$100	\$110	\$120	\$130
Pocket Closure	\$15	\$30	\$45	\$60	\$75	\$90	\$105	\$120	\$135	\$150	\$165	\$180	\$195
External Hembar	\$0	\$0	\$0	\$0	\$0	\$0	\$0	\$0	\$0	\$0	\$0	\$0	\$0
Hanging Valance	\$30	\$60	\$90	\$120	\$150	\$180	\$210	\$240	\$270	\$300	\$330	\$360	\$390

Note: Hanging valances are not available with returns.

Product Options and Surcharges

Motor Options

BTX 110V AC 45QE RF (101.8803)	\$485
BTX 45QE-RF Li-ion (101.5503).....	\$500
BTX 24V DC RF (101.9215).....	\$650
BTX 24V DC 2-Wire (101.9220).....	\$450
Somfy ST40 Quiet RTS (101.9565).....	\$1,100
Somfy ST50 Quiet RTS (101.9542).....	\$965
Somfy ST50 ULTRA AC RTS (101.9543).....	\$1,050
Somfy ST50 ULTRA DC RTS (101.9551).....	\$1,200
Rollese Q3.0 Li-ion Rechargeable Battery.....	\$950
Rollese Q3.0 Plug-in	\$1,200

Control Options

BTX Controls	
BTX Handsender 1 or 6-Channel White	\$125
BTX Wireless Wallswitch (2-Ch or 5-Ch).....	\$150
BTX SmartConnect RS-232 Interface	\$350
Somfy Controls	
Somfy Situo RTS 1-Channel White.....	\$175
Somfy Situo RTS 5-Channel White.....	\$250
Somfy Telis RTS 1-Channel Pure.....	\$150
Somfy Telis RTS 5-Channel Pure.....	\$200
Somfy Telis RTS 1-Channel Silver or Lounge.....	\$275
Somfy Telis RTS 5-Channel Silver or Lounge.....	\$300
Somfy Decoflex 1-Channel Pure	\$350
Somfy Decoflex 5-Channel Pure	\$375

Control Options

Rollese Controls	
Rollese Recharger.....	\$100
Rollese Q2.0/3.0 Power Supply.....	\$250
Rollese 5-Channel Surface Mount Switch	\$150
Rollese 15-Channel Cut-in Switch	\$150
Rollese 1-Channel Cut-in Switch	\$150
Rollese Handsender Push 5-Channel Matte Black	\$200
Rollese Handsender Push 5-Channel Gloss White.....	\$200
Rollese Handsender 15-Channel White.....	\$170
Rollese Handsender 1-Channel White.....	\$150
Misc. Controls	
Extended Power Lead	\$30/foot

Hardware Options

Side Channel (Both Sides)	\$30/foot
---------------------------------	-----------

Fabric List (See fabric index page 31-32 for Fabric Grid listing)



Sorina L Manual Retail Pricing

Feet		WIDTH													
		1ft.	2 ft.	3 ft.	4 ft.	5 ft.	6 ft.	7 ft.	8 ft.	9 ft.	10 ft.	11 ft.	12 ft.	13 ft.	
HEIGHT	Inches	12 in.	24 in.	36 in.	48 in.	60 in.	72 in.	84 in.	96 in.	108 in.	120 in.	132 in.	144 in.	156 in.	
	1 ft.	12 in.	\$162	\$222	\$282	\$342	\$402	\$461	\$521	\$581	\$641	\$701	\$760	\$820	\$880
	2 ft.	24 in.	\$179	\$255	\$332	\$408	\$485	\$561	\$637	\$714	\$790	\$867	\$943	\$1,020	\$1,096
	3 ft.	36 in.	\$196	\$289	\$382	\$475	\$568	\$661	\$754	\$847	\$940	\$1,033	\$1,126	\$1,219	\$1,312
	4 ft.	48 in.	\$212	\$322	\$432	\$541	\$651	\$760	\$870	\$980	\$1,089	\$1,199	\$1,309	\$1,418	\$1,528
	5 ft.	60 in.	\$229	\$355	\$481	\$608	\$734	\$860	\$986	\$1,113	\$1,239	\$1,365	\$1,491	\$1,618	\$1,744
	6 ft.	72 in.	\$245	\$388	\$531	\$674	\$817	\$960	\$1,103	\$1,245	\$1,388	\$1,531	\$1,674	\$1,817	\$1,960
	7 ft.	84 in.	\$262	\$422	\$581	\$740	\$900	\$1,059	\$1,219	\$1,378	\$1,538	\$1,697	\$1,857	\$2,016	\$2,176
	8 ft.	96 in.	\$279	\$455	\$631	\$807	\$983	\$1,159	\$1,335	\$1,511	\$1,687	\$1,863	\$2,039	\$2,216	\$2,392
	9 ft.	108 in.	\$295	\$488	\$681	\$873	\$1,066	\$1,259	\$1,451	\$1,644	\$1,837	\$2,030	\$2,222	\$2,415	\$2,608
	10 ft.	120 in.	\$312	\$521	\$731	\$940	\$1,149	\$1,358	\$1,568	\$1,777	\$1,986	\$2,196	\$2,405	\$2,614	\$2,824
	11 ft.	132 in.	\$329	\$554	\$780	\$1,006	\$1,232	\$1,458	\$1,684	\$1,910	\$2,136	\$2,362	\$2,588	\$2,814	\$3,040
	12 ft.	144 in.	\$345	\$588	\$830	\$1,073	\$1,315	\$1,558	\$1,800	\$2,043	\$2,285	\$2,528	\$2,770	\$3,013	\$3,255
	13 ft.	156 in.	\$362	\$621	\$880	\$1,139	\$1,398	\$1,657	\$1,917	\$2,176	\$2,435	\$2,694	\$2,953	\$3,212	\$3,471
	14 ft.	168 in.	\$378	\$654	\$930	\$1,206	\$1,481	\$1,757	\$2,033	\$2,309	\$2,584	\$2,860	\$3,136	\$3,412	\$3,687
	15 ft.	180 in.	\$395	\$687	\$980	\$1,272	\$1,564	\$1,857	\$2,149	\$2,442	\$2,734	\$3,026	\$3,319	\$3,611	\$3,903
	16 ft.	192 in.	\$412	\$721	\$1,030	\$1,339	\$1,647	\$1,956	\$2,265	\$2,574	\$2,883	\$3,192	\$3,501	\$3,810	\$4,119
17 ft.	204 in.	\$428	\$754	\$1,079	\$1,405	\$1,731	\$2,056	\$2,382	\$2,707	\$3,033	\$3,358	\$3,684	\$4,010	\$4,335	

Surcharges

Feet	1 ft.	2 ft.	3 ft.	4 ft.	5 ft.	6 ft.	7 ft.	8 ft.	9 ft.	10 ft.	11 ft.	12 ft.	13 ft.
Inches	12 in.	24 in.	36 in.	48 in.	60 in.	72 in.	84 in.	96 in.	108 in.	120 in.	132 in.	144 in.	156 in.
4 in. Fascia	\$80	\$90	\$100	\$110	\$120	\$130	\$140	\$150	\$160	\$170	\$180	\$190	\$200
4 in. Backplate	\$85	\$100	\$115	\$130	\$145	\$160	\$175	\$190	\$205	\$220	\$235	\$250	\$265
4 in. Fascia & Backplate	\$95	\$120	\$145	\$170	\$195	\$220	\$245	\$270	\$295	\$320	\$345	\$370	\$395
Sill Channel	\$15	\$30	\$45	\$60	\$75	\$90	\$105	\$120	\$135	\$150	\$165	\$180	\$195
Sill Angle	\$8	\$16	\$24	\$32	\$40	\$48	\$56	\$64	\$72	\$80	\$88	\$96	\$104
Shade Pocket	\$100	\$125	\$150	\$175	\$200	\$225	\$250	\$275	\$300	\$325	\$350	\$375	\$400
Pocket Hanger	\$10	\$20	\$30	\$40	\$50	\$60	\$70	\$80	\$90	\$100	\$110	\$120	\$130
Pocket Closure	\$15	\$30	\$45	\$60	\$75	\$90	\$105	\$120	\$135	\$150	\$165	\$180	\$195
External Hembar	\$0	\$0	\$0	\$0	\$0	\$0	\$0	\$0	\$0	\$0	\$0	\$0	\$0
Hanging Valance	\$30	\$60	\$90	\$120	\$150	\$180	\$210	\$240	\$270	\$300	\$330	\$360	\$390

Note: Hanging valances are not available with returns.

Product Options and Surcharges

Motor Options

BTX 110V AC 45QE RF (101.8803)	\$485
BTX 45QE-RF Li-ion (101.5503)	\$500
BTX 24V DC RF (101.9215)	\$650
BTX 24V DC 2-Wire (101.9220)	\$450
Somfy ST40 Quiet RTS (101.9565)	\$1,100
Somfy ST50 Quiet RTS (101.9542)	\$965
Somfy ST50 ULTRA AC RTS (101.9543)	\$1,050
Somfy ST50 ULTRA DC RTS (101.9551)	\$1,200
Rollease Q3.0 Li-ion Rechargeable Battery	\$950
Rollease Q3.0 Plug-in	\$1,200

Control Options

BTX Controls	
BTX Handsender 1 or 6-Channel White	\$125
BTX Wireless Wallswitch (2-Ch or 5-Ch)	\$150
BTX SmartConnect RS-232 Interface	\$350
Somfy Controls	
Somfy Situo RTS 1-Channel White	\$175
Somfy Situo RTS 5-Channel White	\$250
Somfy Telis RTS 1-Channel Pure	\$150
Somfy Telis RTS 5-Channel Pure	\$200
Somfy Telis RTS 1-Channel Silver or Lounge	\$275
Somfy Telis RTS 5-Channel Silver or Lounge	\$300
Somfy Decoflex 1-Channel Pure	\$350
Somfy Decoflex 5-Channel Pure	\$375

Control Options

Rollease Controls	
Rollease Recharger	\$100
Rollease Q2.0/3.0 Power Supply	\$250
Rollease 5-Channel Surface Mount Switch	\$150
Rollease 15-Channel Cut-in Switch	\$150
Rollease 1-Channel Cut-in Switch	\$150
Rollease Handsender Push 5-Channel Matte Black	\$200
Rollease Handsender Push 5-Channel Gloss White	\$200
Rollease Handsender 15-Channel White	\$170
Rollease Handsender 1-Channel White	\$150
Misc. Controls	
Extended Power Lead	\$30/foot

Hardware Options

Side Channel (Both Sides)	\$30/foot
---------------------------	-----------

Fabric List [\(See fabric index page 31-32 for Fabric Grid listing\)](#)



Sorina XL systems feature a large 3.25 in. tube and hardware configuration motorized shading systems. The larger hardware setup allows for wider and heavier systems. XL-class systems are made available with nearly all the same motor options found in the L-class section, but shades can be specified for bigger applications. If you have requirements outside of the range published here, please contact the factory to explore additional options.



XL Class (Extra Large) Motorized Roller Shade System

- AC, DC, and Battery Motorized system options
- Max size: 15 ft. by 17 ft. (depending on fabric weight)
- Max lifting capacity determined by motor (see page 41)
- 3.25 in. tube and bracket system

What comes with the standard grid price?

Your BTX Intelligent Fashion Sorina XL Roller Shade System comes with

- Fully fabricated motorized Roller Shade system, built to your exact specifications
- Motorized bracket hardware configuration with BTX 45QE RF motor. Manual is not available.
- Fabric listed for the selected grid
- Sealed internal bottom bar (Depending on fabric. Some fabrics cannot use sealed bottom bar)

Important information regarding this system

- Alternate motorized systems are available as an upcharge. (See product options and surcharges at the bottom of each pricing page).
- Control devices for motorized systems are sold separately! Please specify whether you want a handsender, wall switch, or other control method.
- Additional peripherals may be required based on your control scenario
- Please be prepared to answer the following questions about your system:
 - Motor Side (left or right)
 - Roll direction (standard front roll or reverse roll)
 - How would you like the systems programmed, if motorized (we do program and test everything before shipping!)
- Railroading may be necessary based on size.
- Not all fabrics can be railroaded.
- Contact the factory for coupled shades.
- If you have a preference on packaging method (box or crate), please specify, otherwise we will select the safest and most economical method.

Sorina XL Motorized (45QE RF) Bracket System Retail Pricing

Feet		WIDTH													
		3 ft.	4 ft.	5 ft.	6 ft.	7 ft.	8 ft.	9 ft.	10 ft.	11 ft.	12 ft.	13 ft.	14 ft.	15 ft.	
HEIGHT	Inches	36 in.	48 in.	60 in.	72 in.	84 in.	96 in.	108 in.	120 in.	132 in.	144 in.	156 in.	168 in.	180 in.	
	1 ft.	12 in.	\$980	\$1,011	\$1,041	\$1,072	\$1,103	\$1,134	\$1,165	\$1,195	\$1,226	\$1,256	\$1,287	\$1,317	\$1,348
	2 ft.	24 in.	\$990	\$1,024	\$1,058	\$1,092	\$1,126	\$1,160	\$1,194	\$1,229	\$1,263	\$1,296	\$1,330	\$1,364	\$1,398
	3 ft.	36 in.	\$1,000	\$1,037	\$1,075	\$1,112	\$1,150	\$1,187	\$1,224	\$1,262	\$1,299	\$1,335	\$1,373	\$1,410	\$1,448
	4 ft.	48 in.	\$1,010	\$1,051	\$1,091	\$1,132	\$1,173	\$1,214	\$1,254	\$1,295	\$1,336	\$1,375	\$1,416	\$1,457	\$1,498
	5 ft.	60 in.	\$1,020	\$1,064	\$1,108	\$1,152	\$1,196	\$1,240	\$1,284	\$1,328	\$1,372	\$1,415	\$1,459	\$1,503	\$1,547
	6 ft.	72 in.	\$1,030	\$1,077	\$1,125	\$1,172	\$1,219	\$1,267	\$1,314	\$1,361	\$1,409	\$1,455	\$1,502	\$1,550	\$1,597
	7 ft.	84 in.	\$1,040	\$1,090	\$1,141	\$1,192	\$1,243	\$1,293	\$1,344	\$1,395	\$1,445	\$1,495	\$1,546	\$1,596	\$1,647
	8 ft.	96 in.	\$1,050	\$1,104	\$1,158	\$1,212	\$1,266	\$1,320	\$1,374	\$1,428	\$1,482	\$1,535	\$1,589	\$1,643	\$1,697
	9 ft.	108 in.	\$1,060	\$1,117	\$1,174	\$1,232	\$1,289	\$1,346	\$1,404	\$1,461	\$1,518	\$1,575	\$1,632	\$1,689	\$1,747
	10 ft.	120 in.	\$1,070	\$1,130	\$1,191	\$1,252	\$1,312	\$1,373	\$1,434	\$1,494	\$1,555	\$1,615	\$1,675	\$1,736	\$1,797
	11 ft.	132 in.	\$1,080	\$1,144	\$1,208	\$1,272	\$1,336	\$1,400	\$1,464	\$1,528	\$1,592	\$1,654	\$1,718	\$1,782	\$1,846
	12 ft.	144 in.	\$1,090	\$1,157	\$1,224	\$1,291	\$1,359	\$1,426	\$1,493	\$1,561	\$1,628	\$1,694	\$1,762	\$1,829	\$1,896
	13 ft.	156 in.	\$1,099	\$1,170	\$1,241	\$1,311	\$1,382	\$1,453	\$1,523	\$1,594	\$1,665	\$1,734	\$1,805	\$1,875	\$1,946
	14 ft.	168 in.	\$1,109	\$1,183	\$1,257	\$1,331	\$1,405	\$1,479	\$1,553	\$1,627	\$1,701	\$1,774	\$1,848	\$1,922	\$1,996
	15 ft.	180 in.	\$1,119	\$1,197	\$1,274	\$1,351	\$1,429	\$1,506	\$1,583	\$1,660	\$1,738	\$1,814	\$1,891	\$1,968	\$2,046
	16 ft.	192 in.	\$1,129	\$1,210	\$1,291	\$1,371	\$1,452	\$1,532	\$1,613	\$1,694	\$1,774	\$1,854	\$1,934	\$2,015	\$2,096
17 ft.	204 in.	\$1,139	\$1,223	\$1,307	\$1,391	\$1,475	\$1,559	\$1,643	\$1,727	\$1,811	\$1,894	\$1,978	\$2,062	\$2,145	

Surcharges

Feet	3 ft.	4 ft.	5 ft.	6 ft.	7 ft.	8 ft.	9 ft.	10 ft.	11 ft.	12 ft.	13 ft.	14 ft.	15 ft.
Inches	36 in.	48 in.	60 in.	72 in.	84 in.	96 in.	108 in.	120 in.	132 in.	144 in.	156 in.	168 in.	180 in.
Sill Channel	\$45	\$60	\$75	\$90	\$105	\$120	\$135	\$150	\$165	\$180	\$205	\$220	\$235
Sill Angle	\$24	\$32	\$40	\$48	\$56	\$64	\$72	\$80	\$88	\$96	\$104	\$112	\$120
Pocket Hanger	\$30	\$40	\$50	\$60	\$70	\$80	\$90	\$100	\$110	\$120	\$130	\$140	\$150
Pocket Closure	\$45	\$60	\$75	\$90	\$105	\$120	\$135	\$150	\$165	\$180	\$205	\$220	\$235
External Hembar	\$0	\$0	\$0	\$0	\$0	\$0	\$0	\$0	\$0	\$0	\$0	\$0	\$0
Hanging Valance	\$90	\$120	\$150	\$180	\$210	\$240	\$270	\$300	\$330	\$360	\$390	\$420	\$450

Note: Hanging valances are not available with returns.

Product Options and Surcharges

Motor Options

Somfy ST50 Quiet RTS (101.9542).....	\$480
Somfy ST50 ULTRA AC RTS (101.9543).....	\$565
Somfy ST50 ULTRA DC RTS (101.9551).....	\$715

Control Options

BTX Controls	
BTX Handsender 1 or 6-Channel White	\$125
BTX Wireless Wallswitch (2-Ch or 5-Ch)	\$150
BTX SmartConnect RS-232 Interface	\$350
Somfy Controls	
Somfy Situo RTS 1-Channel White.....	\$175
Somfy Situo RTS 5-Channel White.....	\$250
Somfy Telis RTS 1-Channel Pure.....	\$150
Somfy Telis RTS 5-Channel Pure.....	\$200
Somfy Telis RTS 1-Channel Silver or Lounge.....	\$275
Somfy Telis RTS 5-Channel Silver or Lounge.....	\$300
Somfy Decoflex 1-Channel Pure	\$350
Somfy Decoflex 5-Channel Pure	\$375
Misc. Controls	
Extended Power Lead	\$30/foot

Hardware Options

Side Channel (Both Sides)	\$30/foot
---------------------------------	-----------

Fabric List [\(See fabric index page 31-32 for Fabric Grid listing\)](#)



Sorina XL Motorized (45QE RF) Bracket System Retail Pricing

HEIGHT		WIDTH												
		3 ft.	4 ft.	5 ft.	6 ft.	7 ft.	8 ft.	9 ft.	10 ft.	11 ft.	12 ft.	13 ft.	14 ft.	15 ft.
Feet	Inches	36 in	48 in	60 in	72 in	84 in	96 in	108 in	120 in	132 in	144 in	156 in	168 in	180 in
1 ft.	12 in.	\$992	\$1,027	\$1,062	\$1,097	\$1,132	\$1,167	\$1,202	\$1,237	\$1,272	\$1,306	\$1,341	\$1,375	\$1,410
2 ft.	24 in.	\$1,007	\$1,047	\$1,087	\$1,127	\$1,167	\$1,207	\$1,247	\$1,287	\$1,327	\$1,365	\$1,405	\$1,445	\$1,485
3 ft.	36 in.	\$1,022	\$1,067	\$1,112	\$1,157	\$1,202	\$1,247	\$1,292	\$1,337	\$1,381	\$1,425	\$1,470	\$1,515	\$1,560
4 ft.	48 in.	\$1,037	\$1,087	\$1,137	\$1,187	\$1,237	\$1,287	\$1,336	\$1,386	\$1,436	\$1,485	\$1,535	\$1,585	\$1,635
5 ft.	60 in.	\$1,052	\$1,107	\$1,162	\$1,217	\$1,272	\$1,326	\$1,381	\$1,436	\$1,491	\$1,545	\$1,600	\$1,655	\$1,709
6 ft.	72 in.	\$1,067	\$1,127	\$1,187	\$1,247	\$1,306	\$1,366	\$1,426	\$1,486	\$1,546	\$1,605	\$1,664	\$1,724	\$1,784
7 ft.	84 in.	\$1,082	\$1,147	\$1,212	\$1,277	\$1,341	\$1,406	\$1,471	\$1,536	\$1,601	\$1,664	\$1,729	\$1,794	\$1,859
8 ft.	96 in.	\$1,097	\$1,167	\$1,237	\$1,306	\$1,376	\$1,446	\$1,516	\$1,586	\$1,656	\$1,724	\$1,794	\$1,864	\$1,934
9 ft.	108 in.	\$1,112	\$1,187	\$1,262	\$1,336	\$1,411	\$1,486	\$1,561	\$1,636	\$1,710	\$1,784	\$1,859	\$1,934	\$2,008
10 ft.	120 in.	\$1,127	\$1,207	\$1,286	\$1,366	\$1,446	\$1,526	\$1,606	\$1,685	\$1,765	\$1,844	\$1,924	\$2,003	\$2,083
11 ft.	132 in.	\$1,142	\$1,227	\$1,311	\$1,396	\$1,481	\$1,566	\$1,650	\$1,735	\$1,820	\$1,904	\$1,988	\$2,073	\$2,158
12 ft.	144 in.	\$1,157	\$1,247	\$1,336	\$1,426	\$1,516	\$1,606	\$1,695	\$1,785	\$1,875	\$1,963	\$2,053	\$2,143	\$2,233
13 ft.	156 in.	\$1,172	\$1,266	\$1,361	\$1,456	\$1,551	\$1,645	\$1,740	\$1,835	\$1,930	\$2,023	\$2,118	\$2,213	\$2,307
14 ft.	168 in.	\$1,187	\$1,286	\$1,386	\$1,486	\$1,586	\$1,685	\$1,785	\$1,885	\$1,984	\$2,083	\$2,183	\$2,282	\$2,382
15 ft.	180 in.	\$1,202	\$1,306	\$1,411	\$1,516	\$1,620	\$1,725	\$1,830	\$1,935	\$2,039	\$2,143	\$2,248	\$2,352	\$2,457
16 ft.	192 in.	\$1,217	\$1,326	\$1,436	\$1,546	\$1,655	\$1,765	\$1,875	\$1,984	\$2,094	\$2,203	\$2,312	\$2,422	\$2,532
17 ft.	204 in.	\$1,232	\$1,346	\$1,461	\$1,576	\$1,690	\$1,805	\$1,920	\$2,034	\$2,149	\$2,262	\$2,377	\$2,492	\$2,606

Surcharges

Feet	3 ft.	4 ft.	5 ft.	6 ft.	7 ft.	8 ft.	9 ft.	10 ft.	11 ft.	12 ft.	13 ft.	14 ft.	15 ft.
Inches	36 in	48 in	60 in	72 in	84 in	96 in	108 in	120 in	132 in	144 in	156 in	168 in	180 in
Sill Channel	\$45	\$60	\$75	\$90	\$105	\$120	\$135	\$150	\$165	\$180	\$205	\$220	\$235
Sill Angle	\$24	\$32	\$40	\$48	\$56	\$64	\$72	\$80	\$88	\$96	\$104	\$112	\$120
Pocket Hanger	\$30	\$40	\$50	\$60	\$70	\$80	\$90	\$100	\$110	\$120	\$130	\$140	\$150
Pocket Closure	\$45	\$60	\$75	\$90	\$105	\$120	\$135	\$150	\$165	\$180	\$205	\$220	\$235
External Hembar	\$0	\$0	\$0	\$0	\$0	\$0	\$0	\$0	\$0	\$0	\$0	\$0	\$0
Hanging Valance	\$90	\$120	\$150	\$180	\$210	\$240	\$270	\$300	\$330	\$360	\$390	\$420	\$450

Note: Hanging valances are not available with returns.

Product Options and Surcharges

Motor Options

Somfy ST50 Quiet RTS (101.9542).....	\$480
Somfy ST50 ULTRA AC RTS (101.9543).....	\$565
Somfy ST50 ULTRA DC RTS (101.9551).....	\$715

Control Options

BTX Controls	
BTX Handsender 1 or 6-Channel White	\$125
BTX Wireless Wallswitch (2-Ch or 5-Ch).....	\$150
BTX SmartConnect RS-232 Interface	\$350
Somfy Controls	
Somfy Situo RTS 1-Channel White.....	\$175
Somfy Situo RTS 5-Channel White.....	\$250
Somfy Telis RTS 1-Channel Pure.....	\$150
Somfy Telis RTS 5-Channel Pure.....	\$200
Somfy Telis RTS 1-Channel Silver or Lounge.....	\$275
Somfy Telis RTS 5-Channel Silver or Lounge.....	\$300
Somfy Decoflex 1-Channel Pure	\$350
Somfy Decoflex 5-Channel Pure	\$375
Misc. Controls	
Extended Power Lead	\$30/foot

Hardware Options

Side Channel (Both Sides)	\$30/foot
---------------------------------	-----------

Fabric List [\(See fabric index page 31-32 for Fabric Grid listing\)](#)

Sorina XL Motorized (45QE RF) Bracket System Retail Pricing

		WIDTH												
HEIGHT	Feet	3 ft.	4 ft.	5 ft.	6 ft.	7 ft.	8 ft.	9 ft.	10 ft.	11 ft.	12 ft.	13 ft.	14 ft.	15 ft.
	Inches	36 in.	48 in.	60 in.	72 in.	84 in.	96 in.	108 in.	120 in.	132 in.	144 in.	156 in.	168 in.	180 in.
1 ft.	12 in.	\$1,005	\$1,044	\$1,083	\$1,122	\$1,161	\$1,200	\$1,239	\$1,278	\$1,317	\$1,355	\$1,395	\$1,434	\$1,473
2 ft.	24 in.	\$1,025	\$1,070	\$1,116	\$1,162	\$1,208	\$1,253	\$1,299	\$1,345	\$1,391	\$1,435	\$1,481	\$1,527	\$1,572
3 ft.	36 in.	\$1,045	\$1,097	\$1,149	\$1,202	\$1,254	\$1,307	\$1,359	\$1,411	\$1,464	\$1,515	\$1,567	\$1,620	\$1,672
4 ft.	48 in.	\$1,065	\$1,124	\$1,183	\$1,242	\$1,301	\$1,360	\$1,419	\$1,478	\$1,537	\$1,595	\$1,654	\$1,713	\$1,772
5 ft.	60 in.	\$1,085	\$1,150	\$1,216	\$1,282	\$1,347	\$1,413	\$1,479	\$1,544	\$1,610	\$1,674	\$1,740	\$1,806	\$1,871
6 ft.	72 in.	\$1,104	\$1,177	\$1,249	\$1,321	\$1,394	\$1,466	\$1,538	\$1,611	\$1,683	\$1,754	\$1,826	\$1,899	\$1,971
7 ft.	84 in.	\$1,124	\$1,203	\$1,282	\$1,361	\$1,440	\$1,519	\$1,598	\$1,677	\$1,756	\$1,834	\$1,913	\$1,992	\$2,071
8 ft.	96 in.	\$1,144	\$1,230	\$1,316	\$1,401	\$1,487	\$1,572	\$1,658	\$1,744	\$1,829	\$1,914	\$1,999	\$2,085	\$2,170
9 ft.	108 in.	\$1,164	\$1,257	\$1,349	\$1,441	\$1,533	\$1,625	\$1,718	\$1,810	\$1,902	\$1,993	\$2,086	\$2,178	\$2,270
10 ft.	120 in.	\$1,184	\$1,283	\$1,382	\$1,481	\$1,580	\$1,679	\$1,778	\$1,876	\$1,975	\$2,073	\$2,172	\$2,271	\$2,370
11 ft.	132 in.	\$1,204	\$1,310	\$1,415	\$1,521	\$1,626	\$1,732	\$1,837	\$1,943	\$2,048	\$2,153	\$2,258	\$2,364	\$2,469
12 ft.	144 in.	\$1,224	\$1,336	\$1,448	\$1,561	\$1,673	\$1,785	\$1,897	\$2,009	\$2,121	\$2,233	\$2,345	\$2,457	\$2,569
13 ft.	156 in.	\$1,244	\$1,363	\$1,482	\$1,600	\$1,719	\$1,838	\$1,957	\$2,076	\$2,195	\$2,312	\$2,431	\$2,550	\$2,669
14 ft.	168 in.	\$1,264	\$1,389	\$1,515	\$1,640	\$1,766	\$1,891	\$2,017	\$2,142	\$2,268	\$2,392	\$2,517	\$2,643	\$2,768
15 ft.	180 in.	\$1,284	\$1,416	\$1,548	\$1,680	\$1,812	\$1,944	\$2,077	\$2,209	\$2,341	\$2,472	\$2,604	\$2,736	\$2,868
16 ft.	192 in.	\$1,304	\$1,443	\$1,581	\$1,720	\$1,859	\$1,998	\$2,136	\$2,275	\$2,414	\$2,551	\$2,690	\$2,829	\$2,968
17 ft.	204 in.	\$1,324	\$1,469	\$1,615	\$1,760	\$1,905	\$2,051	\$2,196	\$2,342	\$2,487	\$2,631	\$2,777	\$2,922	\$3,067

Surcharges

Feet	3 ft.	4 ft.	5 ft.	6 ft.	7 ft.	8 ft.	9 ft.	10 ft.	11 ft.	12 ft.	13 ft.	14 ft.	15 ft.
Inches	36 in.	48 in.	60 in.	72 in.	84 in.	96 in.	108 in.	120 in.	132 in.	144 in.	156 in.	168 in.	180 in.
Sill Channel	\$45	\$60	\$75	\$90	\$105	\$120	\$135	\$150	\$165	\$180	\$205	\$220	\$235
Sill Angle	\$24	\$32	\$40	\$48	\$56	\$64	\$72	\$80	\$88	\$96	\$104	\$112	\$120
Pocket Hanger	\$30	\$40	\$50	\$60	\$70	\$80	\$90	\$100	\$110	\$120	\$130	\$140	\$150
Pocket Closure	\$45	\$60	\$75	\$90	\$105	\$120	\$135	\$150	\$165	\$180	\$205	\$220	\$235
External Hembar	\$0	\$0	\$0	\$0	\$0	\$0	\$0	\$0	\$0	\$0	\$0	\$0	\$0
Hanging Valance	\$90	\$120	\$150	\$180	\$210	\$240	\$270	\$300	\$330	\$360	\$390	\$420	\$450

Note: Hanging valances are not available with returns.

Product Options and Surcharges

Motor Options

Somfy ST50 Quiet RTS (101.9542).....	\$480
Somfy ST50 ULTRA AC RTS (101.9543).....	\$565
Somfy ST50 ULTRA DC RTS (101.9551).....	\$715

Control Options

BTX Controls	
BTX Handsender 1 or 6-Channel White	\$125
BTX Wireless Wallswitch (2-Ch or 5-Ch)	\$150
BTX SmartConnect RS-232 Interface	\$350
Somfy Controls	
Somfy Situo RTS 1-Channel White.....	\$175
Somfy Situo RTS 5-Channel White.....	\$250
Somfy Telis RTS 1-Channel Pure.....	\$150
Somfy Telis RTS 5-Channel Pure.....	\$200
Somfy Telis RTS 1-Channel Silver or Lounge.....	\$275
Somfy Telis RTS 5-Channel Silver or Lounge.....	\$300
Somfy Decoflex 1-Channel Pure	\$350
Somfy Decoflex 5-Channel Pure	\$375
Misc. Controls	
Extended Power Lead	\$30/foot

Hardware Options

Side Channel (Both Sides)	\$30/foot
---------------------------------	-----------

Fabric List [\(See fabric index page 31-32 for Fabric Grid listing\)](#)



Sorina XL Motorized (45QE RF) Bracket System Retail Pricing

		WIDTH												
HEIGHT	Feet	3 ft.	4 ft.	5 ft.	6 ft.	7 ft.	8 ft.	9 ft.	10 ft.	11 ft.	12 ft.	13 ft.	14 ft.	15 ft.
	Inches	36 in.	48 in.	60 in.	72 in.	84 in.	96 in.	108 in.	120 in.	132 in.	144 in.	156 in.	168 in.	180 in.
1 ft.	12 in.	\$1,017	\$1,061	\$1,104	\$1,147	\$1,190	\$1,233	\$1,277	\$1,320	\$1,363	\$1,405	\$1,448	\$1,492	\$1,535
2 ft.	24 in.	\$1,042	\$1,094	\$1,145	\$1,197	\$1,248	\$1,300	\$1,351	\$1,403	\$1,455	\$1,505	\$1,556	\$1,608	\$1,660
3 ft.	36 in.	\$1,067	\$1,127	\$1,187	\$1,247	\$1,306	\$1,366	\$1,426	\$1,486	\$1,546	\$1,605	\$1,664	\$1,724	\$1,784
4 ft.	48 in.	\$1,092	\$1,160	\$1,228	\$1,296	\$1,365	\$1,433	\$1,501	\$1,569	\$1,637	\$1,704	\$1,772	\$1,841	\$1,909
5 ft.	60 in.	\$1,117	\$1,193	\$1,270	\$1,346	\$1,423	\$1,499	\$1,576	\$1,652	\$1,729	\$1,804	\$1,880	\$1,957	\$2,033
6 ft.	72 in.	\$1,142	\$1,227	\$1,311	\$1,396	\$1,481	\$1,566	\$1,650	\$1,735	\$1,820	\$1,904	\$1,988	\$2,073	\$2,158
7 ft.	84 in.	\$1,167	\$1,260	\$1,353	\$1,446	\$1,539	\$1,632	\$1,725	\$1,818	\$1,911	\$2,003	\$2,096	\$2,189	\$2,282
8 ft.	96 in.	\$1,192	\$1,293	\$1,394	\$1,496	\$1,597	\$1,699	\$1,800	\$1,901	\$2,003	\$2,103	\$2,204	\$2,306	\$2,407
9 ft.	108 in.	\$1,217	\$1,326	\$1,436	\$1,546	\$1,655	\$1,765	\$1,875	\$1,984	\$2,094	\$2,203	\$2,312	\$2,422	\$2,532
10 ft.	120 in.	\$1,242	\$1,360	\$1,478	\$1,595	\$1,713	\$1,831	\$1,949	\$2,067	\$2,185	\$2,302	\$2,420	\$2,538	\$2,656
11 ft.	132 in.	\$1,266	\$1,393	\$1,519	\$1,645	\$1,772	\$1,898	\$2,024	\$2,150	\$2,277	\$2,402	\$2,528	\$2,655	\$2,781
12 ft.	144 in.	\$1,291	\$1,426	\$1,561	\$1,695	\$1,830	\$1,964	\$2,099	\$2,234	\$2,368	\$2,502	\$2,636	\$2,771	\$2,905
13 ft.	156 in.	\$1,316	\$1,459	\$1,602	\$1,745	\$1,888	\$2,031	\$2,174	\$2,317	\$2,460	\$2,601	\$2,744	\$2,887	\$3,030
14 ft.	168 in.	\$1,341	\$1,492	\$1,644	\$1,795	\$1,946	\$2,097	\$2,248	\$2,400	\$2,551	\$2,701	\$2,852	\$3,003	\$3,155
15 ft.	180 in.	\$1,366	\$1,526	\$1,685	\$1,845	\$2,004	\$2,164	\$2,323	\$2,483	\$2,642	\$2,801	\$2,960	\$3,120	\$3,279
16 ft.	192 in.	\$1,391	\$1,559	\$1,727	\$1,895	\$2,062	\$2,230	\$2,398	\$2,566	\$2,734	\$2,900	\$3,068	\$3,236	\$3,404
17 ft.	204 in.	\$1,416	\$1,592	\$1,768	\$1,944	\$2,120	\$2,297	\$2,473	\$2,649	\$2,825	\$3,000	\$3,176	\$3,352	\$3,528

Surcharges

Feet	3 ft.	4 ft.	5 ft.	6 ft.	7 ft.	8 ft.	9 ft.	10 ft.	11 ft.	12 ft.	13 ft.	14 ft.	15 ft.
Inches	36 in.	48 in.	60 in.	72 in.	84 in.	96 in.	108 in.	120 in.	132 in.	144 in.	156 in.	168 in.	180 in.
Sill Channel	\$45	\$60	\$75	\$90	\$105	\$120	\$135	\$150	\$165	\$180	\$205	\$220	\$235
Sill Angle	\$24	\$32	\$40	\$48	\$56	\$64	\$72	\$80	\$88	\$96	\$104	\$112	\$120
Pocket Hanger	\$30	\$40	\$50	\$60	\$70	\$80	\$90	\$100	\$110	\$120	\$130	\$140	\$150
Pocket Closure	\$45	\$60	\$75	\$90	\$105	\$120	\$135	\$150	\$165	\$180	\$205	\$220	\$235
External Hembar	\$0	\$0	\$0	\$0	\$0	\$0	\$0	\$0	\$0	\$0	\$0	\$0	\$0
Hanging Valance	\$90	\$120	\$150	\$180	\$210	\$240	\$270	\$300	\$330	\$360	\$390	\$420	\$450

Note: Hanging valances are not available with returns.

Product Options and Surcharges

Motor Options Somfy ST50 Quiet RTS (101.9542)..... \$480 Somfy ST50 ULTRA AC RTS (101.9543)..... \$565 Somfy ST50 ULTRA DC RTS (101.9551)..... \$715	Control Options BTX Controls BTX Handsender 1 or 6-Channel White \$125 BTX Wireless Wallswitch (2-Ch or 5-Ch)..... \$150 BTX SmartConnect RS-232 Interface \$350 Somfy Controls Somfy Situo RTS 1-Channel White..... \$175 Somfy Situo RTS 5-Channel White..... \$250 Somfy Telis RTS 1-Channel Pure..... \$150 Somfy Telis RTS 5-Channel Pure..... \$200 Somfy Telis RTS 1-Channel Silver or Lounge..... \$275 Somfy Telis RTS 5-Channel Silver or Lounge..... \$300 Somfy Decoflex 1-Channel Pure \$350 Somfy Decoflex 5-Channel Pure \$375 Misc. Controls Extended Power Lead \$30/foot	Hardware Options Side Channel (Both Sides) \$30/foot
--	---	--

Fabric List [\(See fabric index page 31-32 for Fabric Grid listing\)](#)



Sorina XL Motorized (45QE RF) Bracket System Retail Pricing

		WIDTH												
Feet	Inches	3 ft.	4 ft.	5 ft.	6 ft.	7 ft.	8 ft.	9 ft.	10 ft.	11 ft.	12 ft.	13 ft.	14 ft.	15 ft.
		36 in	48 in	60 in	72 in	84 in	96 in	108 in	120 in	132 in	144 in	156 in	168 in	180 in
HEIGHT	1 ft.	\$1,030	\$1,077	\$1,125	\$1,172	\$1,219	\$1,267	\$1,314	\$1,361	\$1,409	\$1,455	\$1,502	\$1,550	\$1,597
	2 ft.	\$1,060	\$1,117	\$1,174	\$1,232	\$1,289	\$1,346	\$1,404	\$1,461	\$1,518	\$1,575	\$1,632	\$1,689	\$1,747
	3 ft.	\$1,090	\$1,157	\$1,224	\$1,291	\$1,359	\$1,426	\$1,493	\$1,561	\$1,628	\$1,694	\$1,762	\$1,829	\$1,896
	4 ft.	\$1,119	\$1,197	\$1,274	\$1,351	\$1,429	\$1,506	\$1,583	\$1,660	\$1,738	\$1,814	\$1,891	\$1,968	\$2,046
	5 ft.	\$1,149	\$1,237	\$1,324	\$1,411	\$1,498	\$1,586	\$1,673	\$1,760	\$1,847	\$1,934	\$2,021	\$2,108	\$2,195
	6 ft.	\$1,179	\$1,276	\$1,374	\$1,471	\$1,568	\$1,665	\$1,763	\$1,860	\$1,957	\$2,053	\$2,150	\$2,248	\$2,345
	7 ft.	\$1,209	\$1,316	\$1,424	\$1,531	\$1,638	\$1,745	\$1,852	\$1,959	\$2,067	\$2,173	\$2,280	\$2,387	\$2,494
	8 ft.	\$1,239	\$1,356	\$1,473	\$1,591	\$1,708	\$1,825	\$1,942	\$2,059	\$2,176	\$2,292	\$2,409	\$2,527	\$2,644
	9 ft.	\$1,269	\$1,396	\$1,523	\$1,650	\$1,777	\$1,905	\$2,032	\$2,159	\$2,286	\$2,412	\$2,539	\$2,666	\$2,793
	10 ft.	\$1,299	\$1,436	\$1,573	\$1,710	\$1,847	\$1,984	\$2,121	\$2,258	\$2,396	\$2,532	\$2,669	\$2,806	\$2,943
	11 ft.	\$1,329	\$1,476	\$1,623	\$1,770	\$1,917	\$2,064	\$2,211	\$2,358	\$2,505	\$2,651	\$2,798	\$2,945	\$3,092
	12 ft.	\$1,359	\$1,516	\$1,673	\$1,830	\$1,987	\$2,144	\$2,301	\$2,458	\$2,615	\$2,771	\$2,928	\$3,085	\$3,242
	13 ft.	\$1,389	\$1,556	\$1,723	\$1,890	\$2,057	\$2,224	\$2,390	\$2,557	\$2,724	\$2,890	\$3,057	\$3,224	\$3,391
	14 ft.	\$1,418	\$1,595	\$1,772	\$1,949	\$2,126	\$2,303	\$2,480	\$2,657	\$2,834	\$3,010	\$3,187	\$3,364	\$3,541
	15 ft.	\$1,448	\$1,635	\$1,822	\$2,009	\$2,196	\$2,383	\$2,570	\$2,757	\$2,944	\$3,130	\$3,316	\$3,503	\$3,690
	16 ft.	\$1,478	\$1,675	\$1,872	\$2,069	\$2,266	\$2,463	\$2,660	\$2,856	\$3,053	\$3,249	\$3,446	\$3,643	\$3,840
	17 ft.	\$1,508	\$1,715	\$1,922	\$2,129	\$2,336	\$2,542	\$2,749	\$2,956	\$3,163	\$3,369	\$3,576	\$3,782	\$3,989

Surcharges

Feet	3 ft.	4 ft.	5 ft.	6 ft.	7 ft.	8 ft.	9 ft.	10 ft.	11 ft.	12 ft.	13 ft.	14 ft.	15 ft.
Inches	36 in	48 in	60 in	72 in	84 in	96 in	108 in	120 in	132 in	144 in	156 in	168 in	180 in
Sill Channel	\$45	\$60	\$75	\$90	\$105	\$120	\$135	\$150	\$165	\$180	\$205	\$220	\$235
Sill Angle	\$24	\$32	\$40	\$48	\$56	\$64	\$72	\$80	\$88	\$96	\$104	\$112	\$120
Pocket Hanger	\$30	\$40	\$50	\$60	\$70	\$80	\$90	\$100	\$110	\$120	\$130	\$140	\$150
Pocket Closure	\$45	\$60	\$75	\$90	\$105	\$120	\$135	\$150	\$165	\$180	\$205	\$220	\$235
External Hembar	\$0	\$0	\$0	\$0	\$0	\$0	\$0	\$0	\$0	\$0	\$0	\$0	\$0
Hanging Valance	\$90	\$120	\$150	\$180	\$210	\$240	\$270	\$300	\$330	\$360	\$390	\$420	\$450

Note: Hanging valances are not available with returns.

Product Options and Surcharges

Motor Options

Somfy ST50 Quiet RTS (101.9542).....	\$480
Somfy ST50 ULTRA AC RTS (101.9543).....	\$565
Somfy ST50 ULTRA DC RTS (101.9551).....	\$715

Control Options

BTX Controls	
BTX Handsender 1 or 6-Channel White	\$125
BTX Wireless Wallswitch (2-Ch or 5-Ch)	\$150
BTX SmartConnect RS-232 Interface	\$350
Somfy Controls	
Somfy Situo RTS 1-Channel White.....	\$175
Somfy Situo RTS 5-Channel White.....	\$250
Somfy Telis RTS 1-Channel Pure.....	\$150
Somfy Telis RTS 5-Channel Pure.....	\$200
Somfy Telis RTS 1-Channel Silver or Lounge.....	\$275
Somfy Telis RTS 5-Channel Silver or Lounge.....	\$300
Somfy Decoflex 1-Channel Pure	\$350
Somfy Decoflex 5-Channel Pure	\$375
Misc. Controls	
Extended Power Lead	\$30/foot

Hardware Options

Side Channel (Both Sides)	\$30/foot
---------------------------------	-----------

Fabric List [\(See fabric index page 31-32 for Fabric Grid listing\)](#)



Sorina XL Motorized (45QE RF) Bracket System Retail Pricing

HEIGHT		WIDTH												
		3 ft.	4 ft.	5 ft.	6 ft.	7 ft.	8 ft.	9 ft.	10 ft.	11 ft.	12 ft.	13 ft.	14 ft.	15 ft.
Feet	Inches	36 in	48 in	60 in	72 in	84 in	96 in	108 in	120 in	132 in	144 in	156 in	168 in	180 in
1 ft.	12 in.	\$1,055	\$1,110	\$1,166	\$1,222	\$1,277	\$1,333	\$1,389	\$1,445	\$1,500	\$1,555	\$1,610	\$1,666	\$1,722
2 ft.	24 in.	\$1,095	\$1,163	\$1,232	\$1,301	\$1,370	\$1,439	\$1,508	\$1,577	\$1,646	\$1,714	\$1,783	\$1,852	\$1,921
3 ft.	36 in.	\$1,134	\$1,217	\$1,299	\$1,381	\$1,463	\$1,546	\$1,628	\$1,710	\$1,793	\$1,874	\$1,956	\$2,038	\$2,121
4 ft.	48 in.	\$1,174	\$1,270	\$1,365	\$1,461	\$1,556	\$1,652	\$1,748	\$1,843	\$1,939	\$2,033	\$2,129	\$2,224	\$2,320
5 ft.	60 in.	\$1,214	\$1,323	\$1,432	\$1,541	\$1,650	\$1,758	\$1,867	\$1,976	\$2,085	\$2,193	\$2,302	\$2,410	\$2,519
6 ft.	72 in.	\$1,254	\$1,376	\$1,498	\$1,620	\$1,743	\$1,865	\$1,987	\$2,109	\$2,231	\$2,352	\$2,474	\$2,596	\$2,719
7 ft.	84 in.	\$1,294	\$1,429	\$1,565	\$1,700	\$1,836	\$1,971	\$2,106	\$2,242	\$2,377	\$2,512	\$2,647	\$2,782	\$2,918
8 ft.	96 in.	\$1,334	\$1,482	\$1,631	\$1,780	\$1,929	\$2,077	\$2,226	\$2,375	\$2,523	\$2,671	\$2,820	\$2,969	\$3,117
9 ft.	108 in.	\$1,374	\$1,536	\$1,698	\$1,860	\$2,022	\$2,184	\$2,346	\$2,508	\$2,670	\$2,831	\$2,993	\$3,155	\$3,317
10 ft.	120 in.	\$1,413	\$1,589	\$1,764	\$1,939	\$2,115	\$2,290	\$2,465	\$2,641	\$2,816	\$2,990	\$3,165	\$3,341	\$3,516
11 ft.	132 in.	\$1,453	\$1,642	\$1,831	\$2,019	\$2,208	\$2,396	\$2,585	\$2,773	\$2,962	\$3,149	\$3,338	\$3,527	\$3,715
12 ft.	144 in.	\$1,493	\$1,695	\$1,897	\$2,099	\$2,301	\$2,503	\$2,704	\$2,906	\$3,108	\$3,309	\$3,511	\$3,713	\$3,915
13 ft.	156 in.	\$1,533	\$1,748	\$1,963	\$2,179	\$2,394	\$2,609	\$2,824	\$3,039	\$3,254	\$3,468	\$3,684	\$3,899	\$4,114
14 ft.	168 in.	\$1,573	\$1,801	\$2,030	\$2,258	\$2,487	\$2,715	\$2,944	\$3,172	\$3,401	\$3,628	\$3,856	\$4,085	\$4,313
15 ft.	180 in.	\$1,613	\$1,855	\$2,096	\$2,338	\$2,580	\$2,822	\$3,063	\$3,305	\$3,547	\$3,787	\$4,029	\$4,271	\$4,513
16 ft.	192 in.	\$1,653	\$1,908	\$2,163	\$2,418	\$2,673	\$2,928	\$3,183	\$3,438	\$3,693	\$3,947	\$4,202	\$4,457	\$4,712
17 ft.	204 in.	\$1,693	\$1,961	\$2,229	\$2,498	\$2,766	\$3,034	\$3,302	\$3,571	\$3,839	\$4,106	\$4,375	\$4,643	\$4,911

Surcharges

Feet	3 ft.	4 ft.	5 ft.	6 ft.	7 ft.	8 ft.	9 ft.	10 ft.	11 ft.	12 ft.	13 ft.	14 ft.	15 ft.
Inches	36 in	48 in	60 in	72 in	84 in	96 in	108 in	120 in	132 in	144 in	156 in	168 in	180 in
Sill Channel	\$45	\$60	\$75	\$90	\$105	\$120	\$135	\$150	\$165	\$180	\$205	\$220	\$235
Sill Angle	\$24	\$32	\$40	\$48	\$56	\$64	\$72	\$80	\$88	\$96	\$104	\$112	\$120
Pocket Hanger	\$30	\$40	\$50	\$60	\$70	\$80	\$90	\$100	\$110	\$120	\$130	\$140	\$150
Pocket Closure	\$45	\$60	\$75	\$90	\$105	\$120	\$135	\$150	\$165	\$180	\$205	\$220	\$235
External Hembar	\$0	\$0	\$0	\$0	\$0	\$0	\$0	\$0	\$0	\$0	\$0	\$0	\$0
Hanging Valance	\$90	\$120	\$150	\$180	\$210	\$240	\$270	\$300	\$330	\$360	\$390	\$420	\$450

Note: Hanging valances are not available with returns.

Product Options and Surcharges

Motor Options

Somfy ST50 Quiet RTS (101.9542).....	\$480
Somfy ST50 ULTRA AC RTS (101.9543).....	\$565
Somfy ST50 ULTRA DC RTS (101.9551).....	\$715

Control Options

BTX Controls	
BTX Handsender 1 or 6-Channel White	\$125
BTX Wireless Wallswitch (2-Ch or 5-Ch).....	\$150
BTX SmartConnect RS-232 Interface	\$350
Somfy Controls	
Somfy Situo RTS 1-Channel White.....	\$175
Somfy Situo RTS 5-Channel White.....	\$250
Somfy Telis RTS 1-Channel Pure.....	\$150
Somfy Telis RTS 5-Channel Pure.....	\$200
Somfy Telis RTS 1-Channel Silver or Lounge.....	\$275
Somfy Telis RTS 5-Channel Silver or Lounge.....	\$300
Somfy Decoflex 1-Channel Pure	\$350
Somfy Decoflex 5-Channel Pure	\$375
Misc. Controls	
Extended Power Lead	\$30/foot

Hardware Options

Side Channel (Both Sides)	\$30/foot
---------------------------------	-----------

Fabric List [\(See fabric index page 31-32 for Fabric Grid listing\)](#)

Sorina XL Motorized (45QE RF) Bracket System Retail Pricing

		WIDTH												
Feet														
	3 ft.	4 ft.	5 ft.	6 ft.	7 ft.	8 ft.	9 ft.	10 ft.	11 ft.	12 ft.	13 ft.	14 ft.	15 ft.	
HEIGHT	Inches	36 in	48 in.	60 in.	72 in.	84 in.	96 in.	108 in.	120 in.	132 in.	144 in	156 in.	168 in	180 in.
	1 ft.	12 in.	\$1,080	\$1,144	\$1,208	\$1,272	\$1,336	\$1,400	\$1,464	\$1,528	\$1,592	\$1,654	\$1,718	\$1,782
2 ft.	24 in.	\$1,129	\$1,210	\$1,291	\$1,371	\$1,452	\$1,532	\$1,613	\$1,694	\$1,774	\$1,854	\$1,934	\$2,015	\$2,096
3 ft.	36 in.	\$1,179	\$1,276	\$1,374	\$1,471	\$1,568	\$1,665	\$1,763	\$1,860	\$1,957	\$2,053	\$2,150	\$2,248	\$2,345
4 ft.	48 in.	\$1,229	\$1,343	\$1,457	\$1,571	\$1,684	\$1,798	\$1,912	\$2,026	\$2,140	\$2,252	\$2,366	\$2,480	\$2,594
5 ft.	60 in.	\$1,279	\$1,409	\$1,540	\$1,670	\$1,801	\$1,931	\$2,062	\$2,192	\$2,322	\$2,452	\$2,582	\$2,713	\$2,843
6 ft.	72 in.	\$1,329	\$1,476	\$1,623	\$1,770	\$1,917	\$2,064	\$2,211	\$2,358	\$2,505	\$2,651	\$2,798	\$2,945	\$3,092
7 ft.	84 in.	\$1,379	\$1,542	\$1,706	\$1,870	\$2,033	\$2,197	\$2,361	\$2,524	\$2,688	\$2,850	\$3,014	\$3,178	\$3,341
8 ft.	96 in.	\$1,428	\$1,609	\$1,789	\$1,969	\$2,150	\$2,330	\$2,510	\$2,690	\$2,871	\$3,050	\$3,230	\$3,410	\$3,591
9 ft.	108 in.	\$1,478	\$1,675	\$1,872	\$2,069	\$2,266	\$2,463	\$2,660	\$2,856	\$3,053	\$3,249	\$3,446	\$3,643	\$3,840
10 ft.	120 in.	\$1,528	\$1,742	\$1,955	\$2,169	\$2,382	\$2,596	\$2,809	\$3,023	\$3,236	\$3,449	\$3,662	\$3,876	\$4,089
11 ft.	132 in.	\$1,578	\$1,808	\$2,038	\$2,268	\$2,498	\$2,729	\$2,959	\$3,189	\$3,419	\$3,648	\$3,878	\$4,108	\$4,338
12 ft.	144 in.	\$1,628	\$1,874	\$2,121	\$2,368	\$2,615	\$2,861	\$3,108	\$3,355	\$3,602	\$3,847	\$4,094	\$4,341	\$4,587
13 ft.	156 in.	\$1,678	\$1,941	\$2,204	\$2,468	\$2,731	\$2,994	\$3,258	\$3,521	\$3,784	\$4,047	\$4,310	\$4,573	\$4,837
14 ft.	168 in.	\$1,727	\$2,007	\$2,287	\$2,567	\$2,847	\$3,127	\$3,407	\$3,687	\$3,967	\$4,246	\$4,526	\$4,806	\$5,086
15 ft.	180 in.	\$1,777	\$2,074	\$2,370	\$2,667	\$2,964	\$3,260	\$3,557	\$3,853	\$4,150	\$4,445	\$4,742	\$5,038	\$5,335
16 ft.	192 in.	\$1,827	\$2,140	\$2,453	\$2,767	\$3,080	\$3,393	\$3,706	\$4,019	\$4,332	\$4,645	\$4,958	\$5,271	\$5,584
17 ft.	204 in.	\$1,877	\$2,207	\$2,537	\$2,866	\$3,196	\$3,526	\$3,856	\$4,185	\$4,515	\$4,844	\$5,174	\$5,503	\$5,833

Surcharges

Feet	3 ft.	4 ft.	5 ft.	6 ft.	7 ft.	8 ft.	9 ft.	10 ft.	11 ft.	12 ft.	13 ft.	14 ft.	15 ft.
Inches	36 in	48 in.	60 in.	72 in.	84 in.	96 in.	108 in.	120 in.	132 in.	144 in	156 in.	168 in	180 in.
Sill Channel	\$45	\$60	\$75	\$90	\$105	\$120	\$135	\$150	\$165	\$180	\$205	\$220	\$235
Sill Angle	\$24	\$32	\$40	\$48	\$56	\$64	\$72	\$80	\$88	\$96	\$104	\$112	\$120
Pocket Hanger	\$30	\$40	\$50	\$60	\$70	\$80	\$90	\$100	\$110	\$120	\$130	\$140	\$150
Pocket Closure	\$45	\$60	\$75	\$90	\$105	\$120	\$135	\$150	\$165	\$180	\$205	\$220	\$235
External Hembar	\$0	\$0	\$0	\$0	\$0	\$0	\$0	\$0	\$0	\$0	\$0	\$0	\$0
Hanging Valance	\$90	\$120	\$150	\$180	\$210	\$240	\$270	\$300	\$330	\$360	\$390	\$420	\$450

Note: Hanging valances are not available with returns.

Product Options and Surcharges

Motor Options

Somfy ST50 Quiet RTS (101.9542).....	\$480
Somfy ST50 ULTRA AC RTS (101.9543).....	\$565
Somfy ST50 ULTRA DC RTS (101.9551).....	\$715

Control Options

BTX Controls	
BTX Handsender 1 or 6-Channel White	\$125
BTX Wireless Wallswitch (2-Ch or 5-Ch)	\$150
BTX SmartConnect RS-232 Interface	\$350
Somfy Controls	
Somfy Situo RTS 1-Channel White.....	\$175
Somfy Situo RTS 5-Channel White.....	\$250
Somfy Telis RTS 1-Channel Pure.....	\$150
Somfy Telis RTS 5-Channel Pure.....	\$200
Somfy Telis RTS 1-Channel Silver or Lounge.....	\$275
Somfy Telis RTS 5-Channel Silver or Lounge.....	\$300
Somfy Decoflex 1-Channel Pure	\$350
Somfy Decoflex 5-Channel Pure	\$375
Misc. Controls	
Extended Power Lead	\$30/foot

Hardware Options

Side Channel (Both Sides)	\$30/foot
---------------------------------	-----------

Fabric List [\(See fabric index page 31-32 for Fabric Grid listing\)](#)



Intelligent Fashion is as much about innovation as it is about style. Gemini Shades are double-panel roller shades driven by quiet DC motors with built-in radio. This shading style has been popular in Europe for their fashionable aesthetic and convenience in light control. Gemini Shades bring comfort and style to nearly any interior.

Featuring horizontal stripes in the fabric with alternating degrees of opaqueness, Gemini Shades allow the user to control their preferred amount of light access into interior space: From a marginal sliver of light to a maximum clear view, Gemini Shades are versatile and beautiful. With selections in standard band sizes, or even fabrics with extra large bands, the user can retain the style without compromising functionality.



Gemini Shades, the elegant BTX Dual Roller Shades, offer increased flexibility and can be ordered in several different stripe widths.

M

3 in. stripes for a constricted light allowance.

XL

10 in. stripes for a bold shading design with reduced light filtering.

XXL

16 in. stripes for a grand presentation and wide light variance.



Manual Gemini Shade System

- Max size: 8 ft. by 9 ft.
- Semi-open cassette
- Color coordinated bottom bar



Motorized Gemini Shade System

- Max size: 8 ft. by 9 ft.
- DC Motorized system with battery wand or power supply
- Semi-open cassette
- Color coordinated bottom bar

Pricing Instructions

Before pricing your Gemini Shade system, you need to determine what type of system best suits your needs. Please consider the following:

- What type of control method are you looking for?
 - Manual: Chain Pull
 - Motorized: Remote Control, Wall Switch, Third Party Integration, etc.
- What size do you need?
 - Recommended max dimensions are 8 ft. x 9 ft.
- What options are you looking for?
 - Motor surcharges will include all the necessary hardware costs to change your system from manual to motorized

How to Price Manual Gemini Shade Systems

Gemini Shade systems are provided as complete assemblies with fabric, and are built to specification. See the steps below to see how to price out your Gemini systems:

- 1 Identify the type of fabric you want for your shade. Technical information for fabrics can be found on page 131. Once determined, use the Fabric Index (page 131) to locate which pages your fabric grid can be found.
- 2 Round your shade dimensions up to the nearest foot and locate the price grid.

		WIDTH						
		2 ft.	2.5 ft.	3 ft.	3.5 ft.	4 ft.	4.5 ft.	
HEIGHT	Feet	24 in.	30 in.	36 in.	42 in.	48 in.	54 in.	
		Inches						
	3 ft.	36	\$295	\$333	\$373	\$407	\$446	\$485
	3.5 ft.	42	\$314	\$352	\$393	\$434	\$475	\$514
	4 ft.	48	\$331	\$373	\$417	\$460	\$505	\$548
	4.5 ft.	54	\$343	\$391	\$438	\$488	\$536	\$585
	5 ft.	60	\$359	\$412	\$462	\$513	\$565	\$616
	5.5 ft.	66	\$375	\$432	\$486	\$541	\$599	\$656
	6 ft.	72	\$399	\$459	\$516	\$575	\$636	\$696

Example: 42 in. by 65 in. would price out at 42 in. by 66 in.

How to Price Motorized Gemini Shade Systems

Gemini Shade systems are provided as complete assemblies with fabric, and are built to specification. See the steps below to see how to price out your Gemini systems:

- 1 Follow all instructions for pricing a manual Gemini Shade, then proceed to step 2.
- 2 Add the motor upcharge price to the grid price.
- 3 Select the control options that best fits your scenario and add them to the grid price.

Grid Index

Fabric Style	Price Grid	Page #
Block	4	Pg 136
Bora Bora	3	Pg 135
Cyprus	2	Pg 134
Fiji	3	Pg 135
Honey	4	Pg 136
Hydra	3	Pg 135
Kos XXL	2	Pg 134
Madagascar	3	Pg 135
Maladives	3	Pg 135
Naxos	3	Pg 135
Oval	4	Pg 136
Parga	3	Pg 135
Poros	3	Pg 135
Samos	3	Pg 135
Skiathos XL	2	Pg 134
Skyros	3	Pg 135
Triangle	4	Pg 136
Zakynthos	1	Pg 133

Coulisse Gemini Fabric Specifications

Fabric Style	Maximum Width	Trans Stripe Width	Solid Stripe	Class	Composition	Thickness (in.)	Weight (oz/yd ²)
Block	96 in.	1.96	2.95	M	n/a	n/a	n/a
Bora Bora	96 in.	1.96	2.95	M	100% PES	0.01	2.33
Cyprus	96 in.	1.96	2.95	M	100% PES	0.01	2.33
Fiji	96 in.	1.96	2.95	M	100% PES	0.01	2.33
Honey	96 in.	1.96	2.95	M	n/a	n/a	n/a
Hydra	96 in.	1.96	2.95	M	89% PES / 11% Lurex	0.01	2.10
Kos XXL	96 in.	9.87	15.95	XXL	100% PES	0.01	
Madagascar	96 in.	1.96	2.95	M	100% PES	0.01	2.08
Maldives	96 in.	1.96	2.95	M	100% PES	0.01	8.91
Naxos	96 in.	4.96	9.95	XL	100% PES	0.01	
Oval	96 in.	1.96	2.95	M	100% PES	0.01	3.86
Parga	96 in.	1.96	2.95	M	100% PES	0.01	2.06
Poros	96 in.	1.96	2.95	M	100% PES	0.01	2.08
Samos	96 in.	1.96	2.95	M	n/a	n/a	n/a
Skiathos XL	96 in.	4.96	9.95	XL	100% PES	0.01	n/a
Skyros	96 in.	1.96	2.95	M	n/a	n/a	n/a
Triangle	96 in.	1.96	2.95	M	n/a	n/a	n/a
Zakynthos	96 in.	1.96	2.95	M	100% PES	0.01	3.86

Recommended Max Gemini Width is 86 in.

Manual Gemini Shade System Specifications

System	Tube Size	Max. Width	Max Drop	Max Weight
Cassette	1.5 in.	96 in.	108 in.	8 lbs.

Note: Due to the delicate nature of Gemini shades, please consult factory for systems more than 36 square feet.

Motorized Gemini Shade System Specifications

System	Motor Desc	Part#	AC/DC	Wattage	Torque	Maximum Weight	Speed/ RPM	Amperage	db rating	Limit Type	Built-in RF	Built-in Dry Contact	Max number of Turns	Motor Diameter	Motor Length
Small	BTX 25E RF	101.8801	12V DC Battery	6.6 W	0.8 Nm	6 lbs.	30 rpm	550 mA	45 db	Electronic	Yes	N/A	Unlimited	25 mm	11.75 in.
	Somfy R28 RTS	101.9410	12V DC	16 W	1.13 Nm	6 lbs.	27 rpm	1.4 A	56 db	Electronic	Yes	N/A	80	29 mm	10.4 in.
	Somfy ST30 Quiet RTS	101.9530	24V DC	20 W	2 Nm	16 lbs.	6 - 28	0.8 A	44 db	Electronic	Yes	N/A	35	29 mm	16 in.
	Somfy ST30 DCT	101.9530	24V DC	20 W	2 Nm	16 lbs.	6 - 28	0.8 A	44 db	Dry Contact	N/A	Yes	35	29 mm	16 in.
	Somfy ST30 RS485	101.9530	24V DC	20 W	2 Nm	16 lbs.	6 - 28	0.8 A	44 db	Digital	N/a	Yes	35	29 mm	16 in.

What comes with the standard grid price?

Your BTX Intelligent Fashion Gemini Shade System comes with

- Fully fabricated manual Gemini Shade system, built to your exact specifications
- Stainless Steel bead chain
- Semi-open cassette System with 1.5 in. hook mounting clutch
- Fabric available and listed for the selected grid
- Color Coordinated bottom bar

Important information regarding this system

- Motorized systems are available as an upcharge. (See product options and surcharges at the bottom of each pricing page).
- Control devices for motorized systems are sold separately! Please specify whether you want a handsender, wall switch, or other control method.
- Additional peripherals may be required based on your control scenario
- Please be prepared to answer the following questions about your system:
 - Clutch or Motor Side (left or right)
 - Hardware color (white, vanilla, silver, or bronze)
 - How would you like the systems programmed, if motorized (we do program and test everything before shipping!)
- If you have a preference on packaging method (box or crate), please specify, otherwise we will select the safest and most economical method.



Gemini Shades

Price Grid 1

Gemini Manual Retail Pricing

HEIGHT		WIDTH											
		Feet	2 ft.	2.5 ft.	3 ft.	3.5 ft.	4 ft.	4.5 ft.	5 ft.	5.5 ft.	6 ft.	7 ft.	8 ft.
		Inches	24 in.	30 in.	36 in.	42 in.	48 in.	54 in.	60 in.	66 in.	72 in.	84 in.	96 in.
3 ft.	36		\$395	\$446	\$498	\$545	\$596	\$646	\$693	\$747	\$875	\$981	\$1,080
3.5 ft.	42		\$420	\$471	\$522	\$573	\$624	\$675	\$726	\$777	\$905	\$1,011	\$1,117
4 ft.	48		\$443	\$498	\$553	\$606	\$659	\$712	\$765	\$818	\$946	\$1,052	\$1,158
4.5 ft.	54		\$458	\$523	\$586	\$653	\$716	\$782	\$853	\$924	\$1,054	\$1,180	\$1,321
5 ft.	60		\$480	\$551	\$617	\$687	\$756	\$830	\$904	\$981	\$1,111	\$1,256	\$1,409
5.5 ft.	66		\$501	\$579	\$651	\$724	\$801	\$881	\$964	\$1,043	\$1,171	\$1,336	\$1,495
6 ft.	72		\$525	\$605	\$683	\$761	\$845	\$933	\$1,018	\$1,106	\$1,234	\$1,410	\$1,585
6.5 ft.	78		\$538	\$623	\$707	\$795	\$881	\$974	\$1,063	\$1,157	\$1,293	\$1,483	\$1,665
7 ft.	84		\$560	\$651	\$736	\$835	\$927	\$1,023	\$1,125	\$1,222	\$1,361	\$1,561	\$1,753
7.5 ft.	90		\$585	\$676	\$770	\$872	\$974	\$1,080	\$1,179	\$1,282	\$1,424	\$1,635	\$1,842
8 ft.	96		\$606	\$704	\$802	\$910	\$1,018	\$1,126	\$1,231	\$1,339	\$1,492	\$1,714	\$1,930
8.5 ft.	102		\$694	\$804	\$915	\$1,035	\$1,146	\$1,250	\$1,396	\$1,532	\$1,642	\$1,865	\$2,078
9 ft.	108		\$731	\$849	\$964	\$1,089	\$1,208	\$1,318	\$1,469	\$1,614	\$1,726	\$1,959	\$2,189

Feet	2 ft.	2.5 ft.	3 ft.	3.5 ft.	4 ft.	4.5 ft.	5 ft.	5.5 ft.	6 ft.	7 ft.	8 ft.
Inches	24 in.	30 in.	36 in.	42 in.	48 in.	54 in.	60 in.	66 in.	72 in.	84 in.	96 in.
Ultimate 2.0 Cassette & Fascia	\$336	\$343	\$352	\$373	\$389	\$395	\$406	\$412	\$421	\$458	\$474
Ultimate Bottom Rail Only	\$134	\$147	\$157	\$168	\$184	\$193	\$208	\$221	\$233	\$-	\$-

Product Options and Surcharges

Motor Options

BTX 25E RF Motor with Battery Wand	\$385
Somfy R28 with Battery Wand	\$600
Somfy R28 RTS Li-ion WireFree (charger sold separately)	\$600
Somfy ST30 Quiet RTS with Transformer	\$935
Somfy ST30 DCT with Transformer	\$850
Somfy ST30 RS485 with Transformer	\$1,075
Somfy ST30 Quiet RTS Li-ion Wirefree (charger sold separately)	\$650
Rollese 1.1 Li-ion Rechargeable Battery	\$625
Rollese Q2.0 Li-ion Rechargeable Battery	\$700
Rollese Q2.0 Plug-in	\$900

Control Options

BTX Handsender 1 or 6-Channel White	\$125
BTX Wireless Wallswitch (2-Ch or 5-Ch)	\$150
Somfy Situo RTS 1-Channel White	\$175
Somfy Situo RTS 5-Channel White	\$250
Somfy Telis RTS 1-Channel Pure	\$150
Somfy Telis RTS 5-Channel Pure	\$200
Somfy Telis RTS 1-Channel Silver or Lounge	\$275
Somfy Telis RTS 5-Channel Silver or Lounge	\$300
Somfy Decoflex 1-Channel Pure	\$350
Somfy Decoflex 5-Channel Pure	\$375
Extended Power Lead	\$30/foot

Control Options

BTX SmartConnect RS-232 Interface	\$350
Somfy Battery Tube, 12V, Reloadable	\$75
Rollese Recharger	\$100
Rollese Q2.0/3.0 Power Supply	\$250
Rollese 5-Channel Surface Mount Switch	\$150
Rollese 15-Channel Cut-in Switch	\$150
Rollese 1-Channel Cut-in Switch	\$150
Rollese Handsender Push 5-Channel Matte Black	\$200
Rollese Handsender Push 5-Channel Gloss White	\$200
Rollese Handsender 15-Channel White	\$170
Rollese Handsender 1-Channel White	\$150

Fabric List

Coulisse Gemini

Zakynthos	96 in.
-----------------	--------



Gemini Shades

Price Grid 2

Gemini Manual Retail Pricing

		WIDTH											
Feet													
	Inches	24 in.	30 in.	36 in.	42 in.	48 in.	54 in.	60 in.	66 in.	72 in.	84 in.	96 in.	
HEIGHT	3 ft.	36	\$494	\$557	\$622	\$680	\$745	\$808	\$867	\$933	\$1,092	\$1,227	\$1,350
	3.5 ft.	42	\$523	\$588	\$656	\$727	\$795	\$866	\$933	\$1,000	\$1,165	\$1,311	\$1,446
	4 ft.	48	\$552	\$623	\$697	\$770	\$844	\$918	\$998	\$1,075	\$1,242	\$1,392	\$1,543
	4.5 ft.	54	\$574	\$654	\$733	\$816	\$896	\$977	\$1,066	\$1,156	\$1,318	\$1,477	\$1,651
	5 ft.	60	\$600	\$690	\$724	\$858	\$944	\$1,038	\$1,131	\$1,227	\$1,389	\$1,571	\$1,760
	5.5 ft.	66	\$628	\$724	\$815	\$904	\$1,000	\$1,102	\$1,205	\$1,304	\$1,463	\$1,669	\$1,870
	6 ft.	72	\$656	\$754	\$853	\$950	\$1,057	\$1,165	\$1,273	\$1,382	\$1,543	\$1,762	\$1,981
	6.5 ft.	78	\$671	\$781	\$883	\$992	\$1,103	\$1,219	\$1,328	\$1,446	\$1,617	\$1,853	\$2,080
	7 ft.	84	\$700	\$815	\$921	\$1,043	\$1,160	\$1,279	\$1,406	\$1,527	\$1,700	\$1,952	\$2,192
	7.5 ft.	90	\$731	\$844	\$963	\$1,089	\$1,217	\$1,350	\$1,472	\$1,603	\$1,782	\$2,046	\$2,303
8 ft.	96	\$758	\$879	\$1,004	\$1,132	\$1,273	\$1,407	\$1,538	\$1,674	\$1,865	\$2,141	\$2,411	
8.5 ft.	102	\$869	\$1,006	\$1,145	\$1,294	\$1,433	\$1,561	\$1,745	\$1,915	\$2,050	\$2,331	\$2,598	
9 ft.	108	\$915	\$1,060	\$1,205	\$1,362	\$1,504	\$1,646	\$1,836	\$2,018	\$2,157	\$2,450	\$2,737	

Feet	2 ft.	2.5 ft.	3 ft.	3.5 ft.	4 ft.	4.5 ft.	5 ft.	5.5 ft.	6 ft.	7 ft.	8 ft.
Inches	24 in.	30 in.	36 in.	42 in.	48 in.	54 in.	60 in.	66 in.	72 in.	84 in.	96 in.
Ultimate 2.0 Cassette & Fascia	\$336	\$343	\$352	\$373	\$389	\$395	\$406	\$412	\$421	\$458	\$474
Ultimate Bottom Rail Only	\$134	\$147	\$157	\$168	\$184	\$193	\$208	\$221	\$233	\$-	\$-

Product Options and Surcharges

Motor Options

BTX 25E RF Motor with Battery Wand	\$385
Somfy R28 with Battery Wand	\$600
Somfy R28 RTS Li-ion WireFree (charger sold separately)	\$600
Somfy ST30 Quiet RTS with Transformer	\$935
Somfy ST30 DCT with Transformer	\$850
Somfy ST30 RS485 with Transformer	\$1,075
Somfy ST30 Quiet RTS Li-ion Wirefree (charger sold separately)	\$650
Rollease 1.1 Li-ion Rechargeable Battery	\$625
Rollease Q2.0 Li-ion Rechargeable Battery	\$700
Rollease Q2.0 Plug-in	\$900

Control Options

BTX Handsender 1 or 6-Channel White	\$125
BTX Wireless Wallswitch (2-Ch or 5-Ch)	\$150
Somfy Situo RTS 1-Channel White	\$175
Somfy Situo RTS 5-Channel White	\$250
Somfy Telis RTS 1-Channel Pure	\$150
Somfy Telis RTS 5-Channel Pure	\$200
Somfy Telis RTS 1-Channel Silver or Lounge	\$275
Somfy Telis RTS 5-Channel Silver or Lounge	\$300
Somfy Decoflex 1-Channel Pure	\$350
Somfy Decoflex 5-Channel Pure	\$375
Extended Power Lead	\$30/foot

Control Options

BTX SmartConnect RS-232 Interface	\$350
Somfy Battery Tube, 12V, Reloadable	\$75
Rollease Recharger	\$100
Rollease Q2.0/3.0 Power Supply	\$250
Rollease 5-Channel Surface Mount Switch	\$150
Rollease 15-Channel Cut-in Switch	\$150
Rollease 1-Channel Cut-in Switch	\$150
Rollease Handsender Push 5-Channel Matte Black	\$200
Rollease Handsender Push 5-Channel Gloss White	\$200
Rollease Handsender 15-Channel White	\$170
Rollease Handsender 1-Channel White	\$150

Fabric List

Coulisse Gemini

Cyprus	96 in.
Kos XXL	96 in.
Skiathos XL	96 in.



Gemini Shades

Price Grid 3

Gemini Manual Retail Pricing

Feet		WIDTH											
		2 ft.	2.5 ft.	3 ft.	3.5 ft.	4 ft.	4.5 ft.	5 ft.	5.5 ft.	6 ft.	7 ft.	8 ft.	
Inches		24 in.	30 in.	36 in.	42 in.	48 in.	54 in.	60 in.	66 in.	72 in.	84 in.	96 in.	
HEIGHT	3 ft.	36	\$617	\$694	\$778	\$850	\$929	\$1,012	\$1,085	\$1,165	\$1,365	\$1,532	\$1,689
	3.5 ft.	42	\$654	\$736	\$819	\$909	\$994	\$1,083	\$1,165	\$1,251	\$1,456	\$1,637	\$1,808
	4 ft.	48	\$691	\$779	\$872	\$961	\$1,055	\$1,148	\$1,248	\$1,344	\$1,554	\$1,740	\$1,929
	4.5 ft.	54	\$721	\$818	\$918	\$1,018	\$1,122	\$1,222	\$1,331	\$1,444	\$1,648	\$1,845	\$2,064
	5 ft.	60	\$751	\$864	\$966	\$1,074	\$1,180	\$1,299	\$1,413	\$1,532	\$1,737	\$1,963	\$2,199
	5.5 ft.	66	\$784	\$904	\$1,017	\$1,131	\$1,251	\$1,376	\$1,507	\$1,631	\$1,830	\$2,086	\$2,339
	6 ft.	72	\$819	\$943	\$1,066	\$1,186	\$1,321	\$1,456	\$1,591	\$1,726	\$1,929	\$2,202	\$2,476
	6.5 ft.	78	\$841	\$977	\$1,105	\$1,240	\$1,378	\$1,524	\$1,662	\$1,808	\$2,020	\$2,316	\$2,600
	7 ft.	84	\$875	\$1,017	\$1,151	\$1,304	\$1,452	\$1,600	\$1,756	\$1,909	\$2,125	\$2,438	\$2,740
	7.5 ft.	90	\$913	\$1,055	\$1,203	\$1,362	\$1,523	\$1,688	\$1,841	\$2,003	\$2,226	\$2,557	\$2,879
	8 ft.	96	\$947	\$1,102	\$1,254	\$1,421	\$1,591	\$1,759	\$1,924	\$2,097	\$2,331	\$2,675	\$3,015
8.5 ft.	102	\$1,086	\$1,256	\$1,432	\$1,618	\$1,791	\$1,953	\$2,180	\$2,395	\$2,563	\$2,911	\$3,249	
9 ft.	108	\$1,145	\$1,324	\$1,507	\$1,703	\$1,881	\$2,057	\$2,294	\$2,523	\$2,697	\$3,063	\$3,421	

Feet	2 ft.	2.5 ft.	3 ft.	3.5 ft.	4 ft.	4.5 ft.	5 ft.	5.5 ft.	6 ft.	7 ft.	8 ft.
Inches	24 in.	30 in.	36 in.	42 in.	48 in.	54 in.	60 in.	66 in.	72 in.	84 in.	96 in.
Ultimate 2.0 Cassette & Fascia	\$336	\$343	\$352	\$373	\$389	\$395	\$406	\$412	\$421	\$458	\$474
Ultimate Bottom Rail Only	\$134	\$147	\$157	\$168	\$184	\$193	\$208	\$221	\$233	\$-	\$-

Product Options and Surcharges

Motor Options

BTX 25E RF Motor with Battery Wand	\$385
Somfy R28 with Battery Wand	\$600
Somfy R28 RTS Li-ion WireFree (charger sold separately)	\$600
Somfy ST30 Quiet RTS with Transformer	\$935
Somfy ST30 DCT with Transformer	\$850
Somfy ST30 RS485 with Transformer	\$1,075
Somfy ST30 Quiet RTS Li-ion Wirefree (charger sold separately)	\$650
Rollease 1.1 Li-ion Rechargeable Battery	\$625
Rollease Q2.0 Li-ion Rechargeable Battery	\$700
Rollease Q2.0 Plug-in	\$900

Control Options

BTX Handsender 1 or 6-Channel White	\$125
BTX Wireless Wallswitch (2-Ch or 5-Ch)	\$150
Somfy Situo RTS 1-Channel White	\$175
Somfy Situo RTS 5-Channel White	\$250
Somfy Telis RTS 1-Channel Pure	\$150
Somfy Telis RTS 5-Channel Pure	\$200
Somfy Telis RTS 1-Channel Silver or Lounge	\$275
Somfy Telis RTS 5-Channel Silver or Lounge	\$300
Somfy Decoflex 1-Channel Pure	\$350
Somfy Decoflex 5-Channel Pure	\$375
Extended Power Lead	\$30/foot

Control Options

BTX SmartConnect RS-232 Interface	\$350
Somfy Battery Tube, 12V, Reloadable	\$75
Rollease Recharger	\$100
Rollease Q2.0/3.0 Power Supply	\$250
Rollease 5-Channel Surface Mount Switch	\$150
Rollease 15-Channel Cut-in Switch	\$150
Rollease 1-Channel Cut-in Switch	\$150
Rollease Handsender Push 5-Channel Matte Black	\$200
Rollease Handsender Push 5-Channel Gloss White	\$200
Rollease Handsender 15-Channel White	\$170
Rollease Handsender 1-Channel White	\$150

Fabric List

Coulisse Gemini

Bora Bora	96 in.
Fiji	96 in.
Hydra	96 in.
Madagascar	96 in.
Maldives	96 in.

Coulisse Gemini

Parga	96 in.
Poros	96 in.
Samos	96 in.
Skyros	96 in.
Naxos	96 in.

Gemini Manual Retail Pricing

		WIDTH											
Feet													
	Inches	24 in.	30 in.	36 in.	42 in.	48 in.	54 in.	60 in.	66 in.	72 in.	84 in.	96 in.	
HEIGHT	3 ft.	36	\$741	\$833	\$933	\$1,020	\$1,115	\$1,216	\$1,301	\$1,398	\$1,637	\$1,839	\$2,027
	3.5 ft.	42	\$784	\$883	\$983	\$1,089	\$1,193	\$1,299	\$1,398	\$1,503	\$1,747	\$1,964	\$2,169
	4 ft.	48	\$830	\$935	\$1,043	\$1,153	\$1,267	\$1,376	\$1,497	\$1,612	\$1,864	\$2,089	\$2,314
	4.5 ft.	54	\$864	\$981	\$1,102	\$1,222	\$1,345	\$1,466	\$1,598	\$1,734	\$1,978	\$2,216	\$2,476
	5 ft.	60	\$901	\$1,037	\$1,159	\$1,288	\$1,416	\$1,558	\$1,696	\$296	\$2,083	\$2,356	\$2,638
	5.5 ft.	66	\$941	\$1,086	\$1,220	\$1,358	\$1,503	\$1,652	\$1,810	\$1,958	\$2,195	\$2,504	\$2,806
	6 ft.	72	\$983	\$1,131	\$1,279	\$1,424	\$1,585	\$1,747	\$1,910	\$2,072	\$2,314	\$2,643	\$2,972
	6.5 ft.	78	\$1,009	\$1,173	\$1,325	\$1,487	\$1,654	\$1,830	\$1,995	\$2,169	\$2,424	\$2,780	\$3,120
	7 ft.	84	\$1,051	\$1,220	\$1,381	\$1,566	\$1,742	\$1,919	\$2,108	\$2,290	\$2,549	\$2,925	\$3,288
	7.5 ft.	90	\$1,095	\$1,267	\$1,444	\$1,634	\$1,825	\$1,859	\$2,209	\$2,404	\$2,672	\$3,069	\$3,456
	8 ft.	96	\$1,137	\$1,321	\$1,506	\$1,705	\$1,910	\$2,109	\$2,308	\$2,509	\$2,797	\$3,211	\$3,616
8.5 ft.	102	\$1,304	\$1,507	\$1,717	\$1,941	\$2,149	\$2,344	\$2,617	\$2,873	\$3,073	\$3,495	\$3,899	
9 ft.	108	\$1,373	\$1,588	\$1,810	\$2,044	\$2,257	\$2,469	\$2,754	\$3,027	\$3,237	\$3,675	\$4,104	

Feet	2 ft.	2.5 ft.	3 ft.	3.5 ft.	4 ft.	4.5 ft.	5 ft.	5.5 ft.	6 ft.	7 ft.	8 ft.
Inches	24 in.	30 in.	36 in.	42 in.	48 in.	54 in.	60 in.	66 in.	72 in.	84 in.	96 in.
Ultimate 2.0 Cassette & Fascia	\$336	\$343	\$352	\$373	\$389	\$395	\$406	\$412	\$421	\$458	\$474
Ultimate Bottom Rail Only	\$134	\$147	\$157	\$168	\$184	\$193	\$208	\$221	\$233	\$-	\$-

Product Options and Surcharges

Motor Options

BTX 25E RF Motor with Battery Wand	\$385
Somfy R28 with Battery Wand	\$600
Somfy R28 RTS Li-ion WireFree (charger sold separately)	\$600
Somfy ST30 Quiet RTS with Transformer	\$935
Somfy ST30 DCT with Transformer	\$850
Somfy ST30 RS485 with Transformer	\$1,075
Somfy ST30 Quiet RTS Li-ion Wirefree (charger sold separately)	\$650
Rollese 1.1 Li-ion Rechargeable Battery	\$625
Rollese Q2.0 Li-ion Rechargeable Battery	\$700
Rollese Q2.0 Plug-in	\$900

Control Options

BTX Handsender 1 or 6-Channel White	\$125
BTX Wireless Wallswitch (2-Ch or 5-Ch)	\$150
Somfy Situo RTS 1-Channel White	\$175
Somfy Situo RTS 5-Channel White	\$250
Somfy Telis RTS 1-Channel Pure	\$150
Somfy Telis RTS 5-Channel Pure	\$200
Somfy Telis RTS 1-Channel Silver or Lounge	\$275
Somfy Telis RTS 5-Channel Silver or Lounge	\$300
Somfy Decoflex 1-Channel Pure	\$350
Somfy Decoflex 5-Channel Pure	\$375
Extended Power Lead	\$30/foot

Control Options

BTX SmartConnect RS-232 Interface	\$350
Somfy Battery Tube, 12V, Reloadable	\$75
Rollese Recharger	\$100
Rollese Q2.0/3.0 Power Supply	\$250
Rollese 5-Channel Surface Mount Switch	\$150
Rollese 15-Channel Cut-in Switch	\$150
Rollese 1-Channel Cut-in Switch	\$150
Rollese Handsender Push 5-Channel Matte Black	\$200
Rollese Handsender Push 5-Channel Gloss White	\$200
Rollese Handsender 15-Channel White	\$170
Rollese Handsender 1-Channel White	\$150

Fabric List

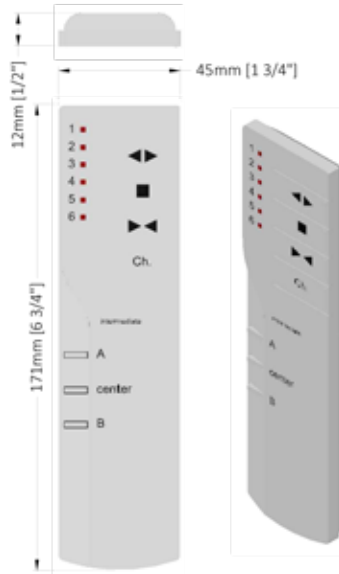
Coulisse Gemini

Block	96 in.
Honey	96 in.
Oval	96 in.
Triangle	96 in.



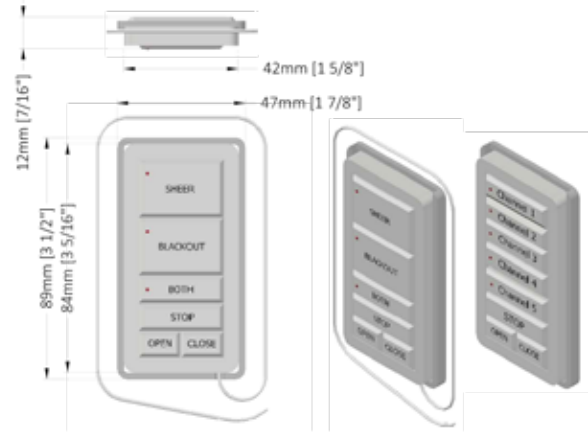
BTX features a wide range of plug-and-play, or custom-built control solutions. Whether you require a motorized shading system with simple built-in radio for local control, or you need a completely custom-tailored solution for your building management system, BTX help guide you through the appropriate solution. BTX can cater to almost everything included wired connections, high-voltage, low-voltage, radio, dry contact closure, third party integration, and more. The next few pages contains details for some commonly used control components. For more detailed information that suits your application, give us a call and we will provide you with the appropriate documentation or specifications.

6-Channel Handsender 490.2076



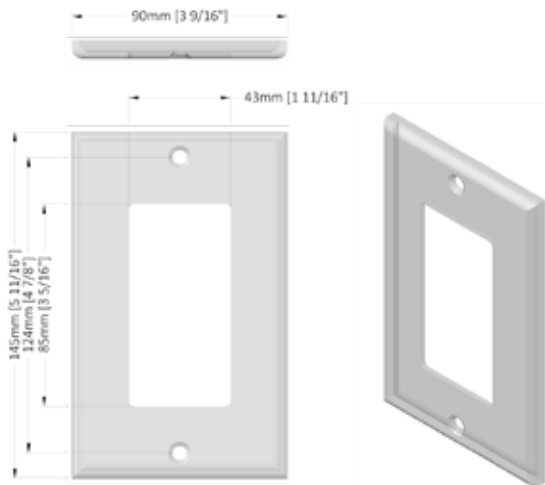
- BTX 433 MHz RF
- 6 single systems or 6 groups of systems

2-Channel & 5-Channel Wireless Wallswitch 480.XXX & 480.XXX



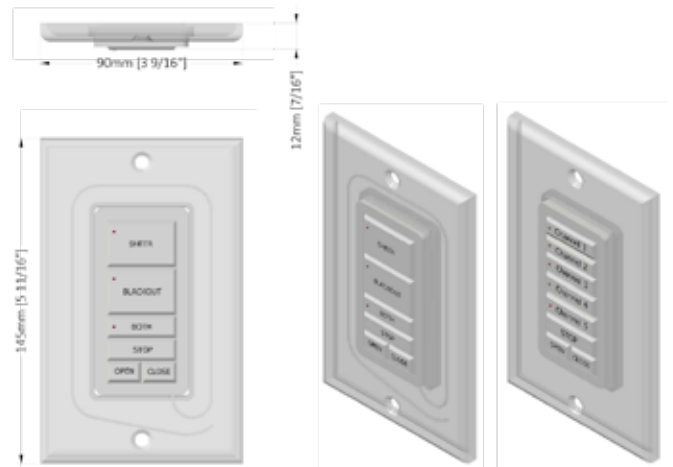
- BTX 433 MHz RF
- Flush mount switch for easy installation

Decora Switchplate 400.XXX



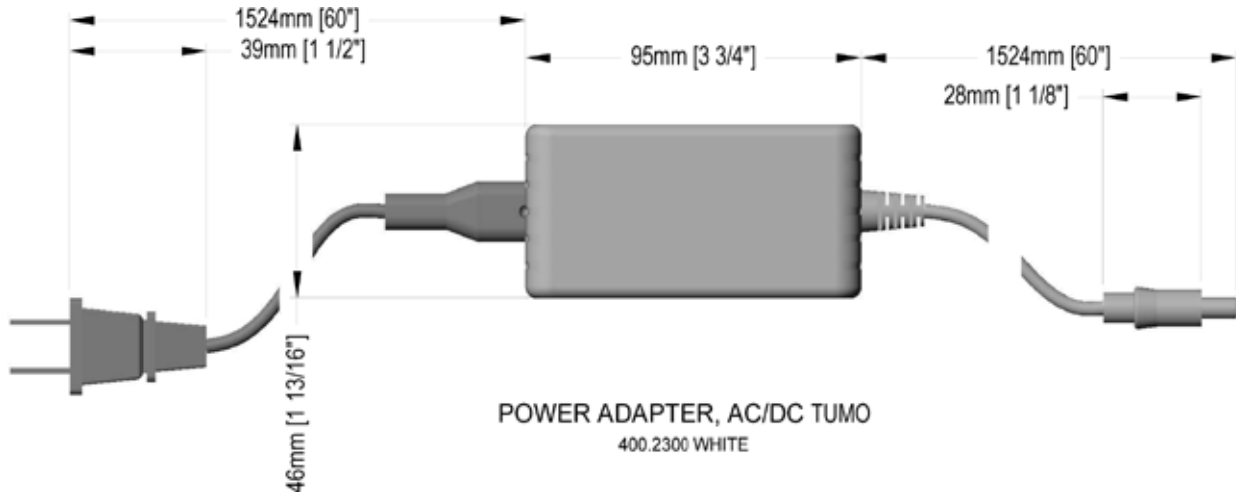
- Standard Decora Switchplate
- Available in Almond or White

Switch with Switchplate



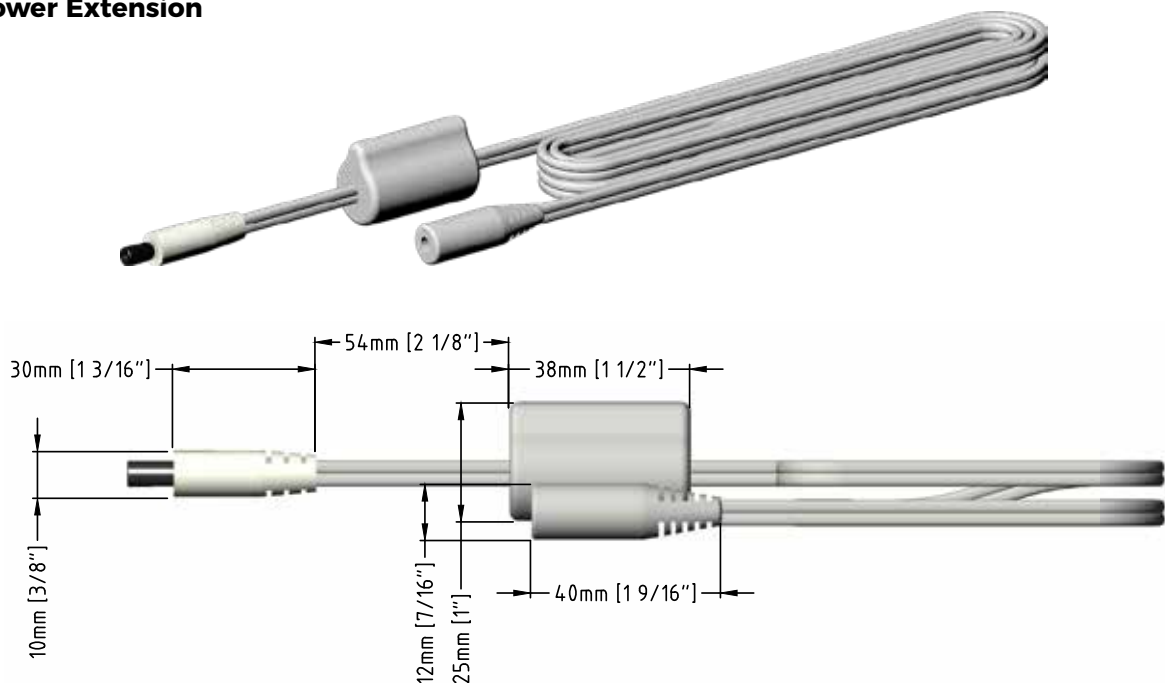
- Switch and plate assembly
- Note: 2-Channel switches require antennas to be properly wrapped and spaced behind the switchplate for best performance

110V/24V AC/DC Power Transformer 400.2300



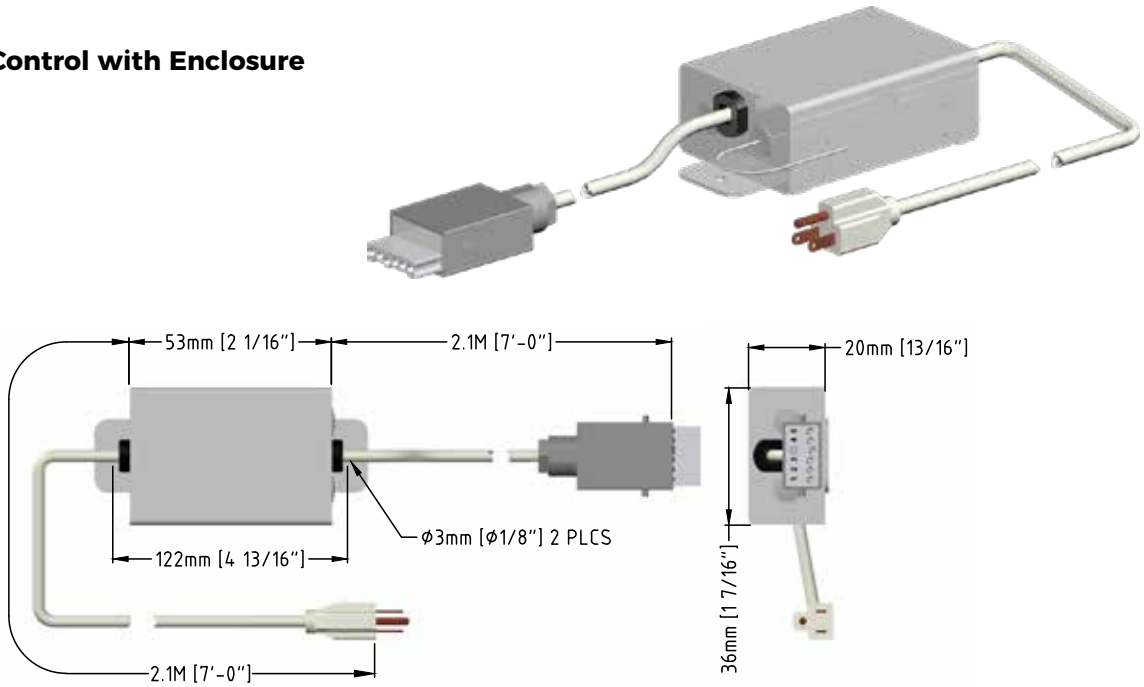
- Total cable length: 10 ft.
- For use with Tumo Xcel (101.9010) and Tumo HD (101.9020) Drapery Motors
- For use with Tumo DC RF Roller Shade motors (101.9215)

24V DC Power Extension 400.8001



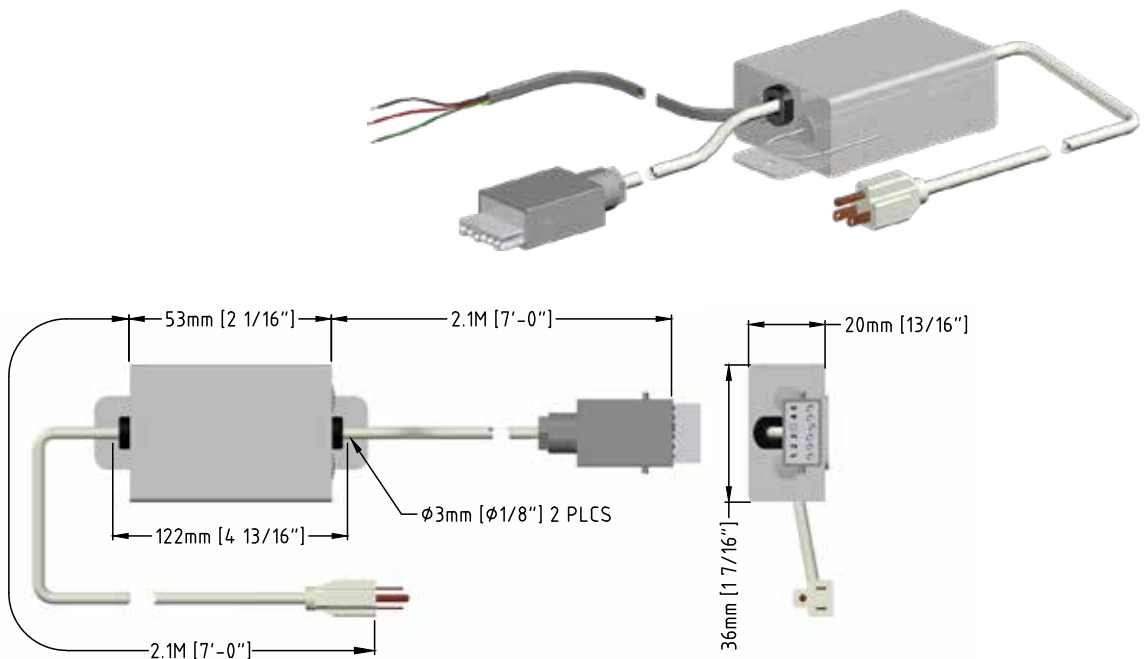
- Total cable length: 33 ft.
- Compatible with Tumo 110V/24V AC/DC Power Supply (400.2300)

BTX MMC Radio Control with Enclosure



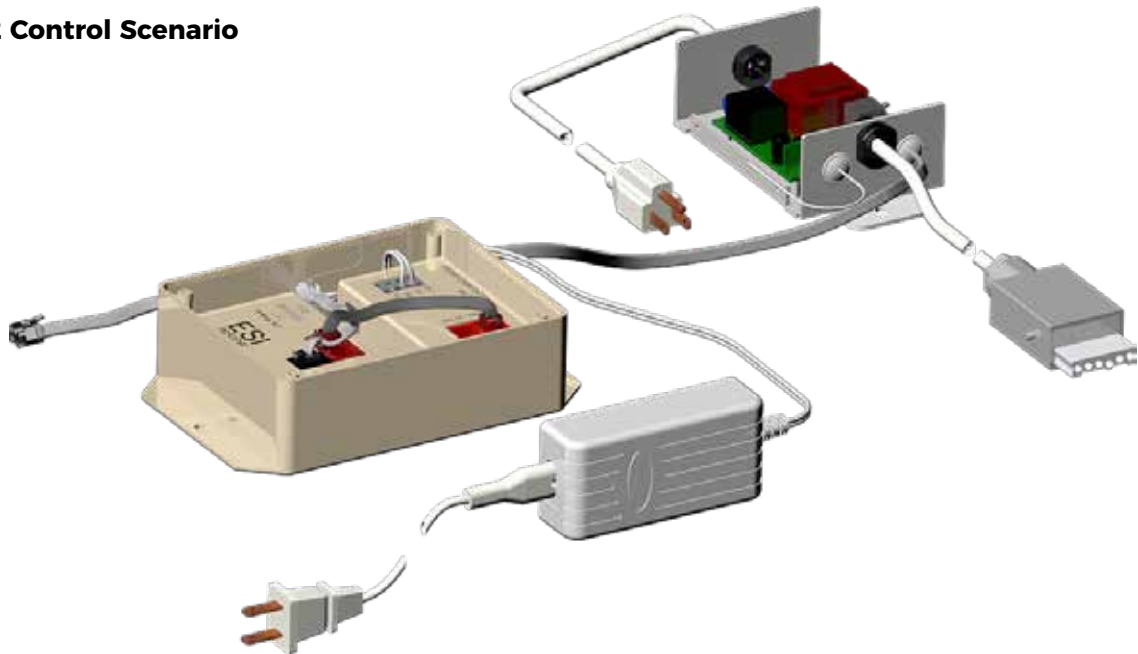
- Adds Radio Control to 110V AC 4-Wire BTX motorized window coverings (Classic, Tumo 4-wire, etc.)
- Cable length can be customized
- Discuss exact control requirements with BTX Technician before installation

BTX MMC with Contact Closure / Low Voltage Interface



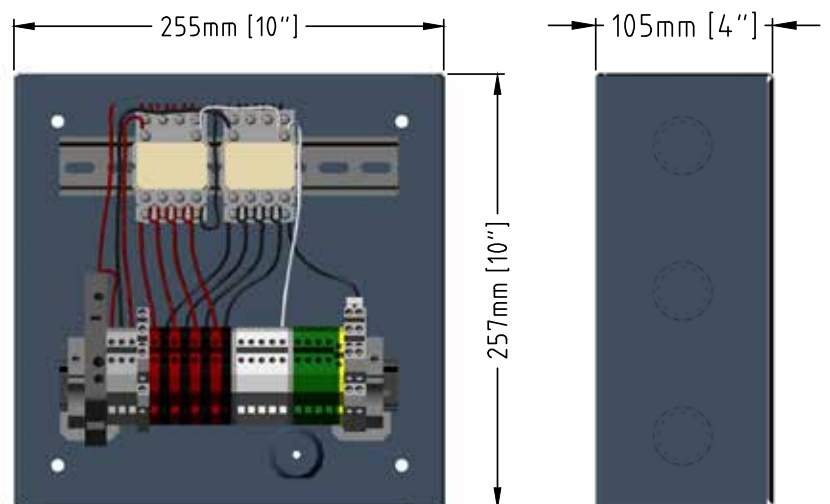
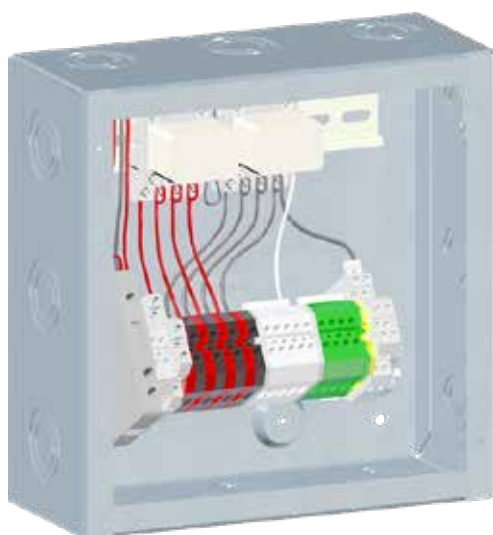
- Adds Radio Control and Contact Closure to 110V AC 4-Wire BTX motorized window coverings (Classic, Tumo 4-wire, etc.)
- Cable length can be customized
- Discuss exact control requirements with BTX Technician before installation

BTX RS232 Control Scenario



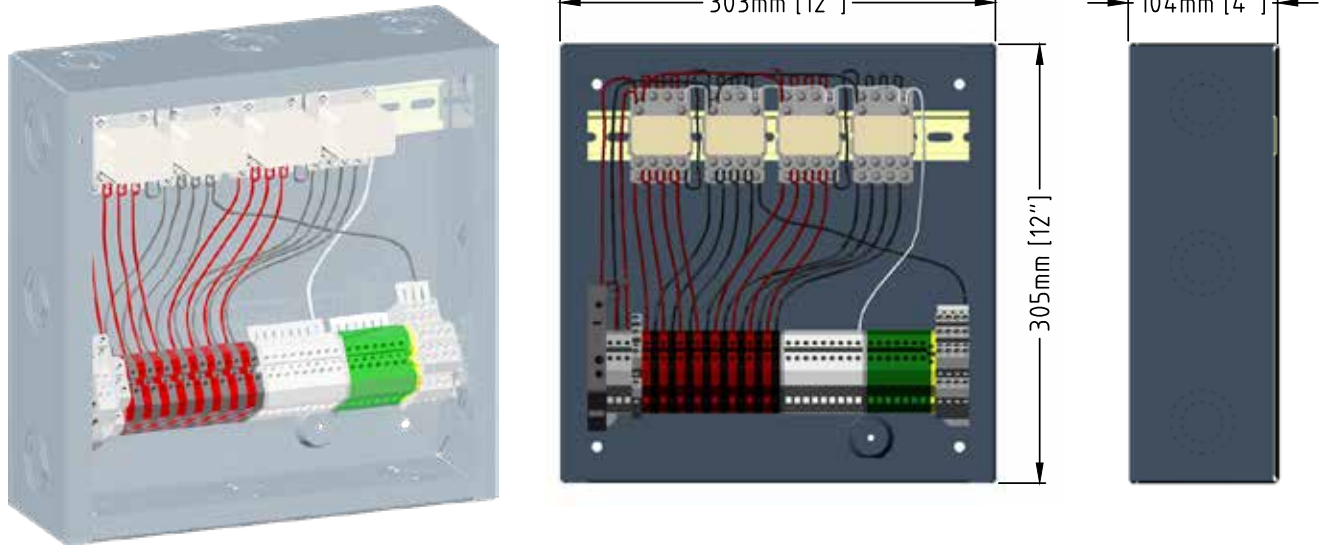
- Simple representation of BTX RS232 Integration Configuration. Control setup is customized per project. Additional configurations and enclosure types are available.
- Discuss exact control requirements with BTX Technician before installation

4-unit 110V Group Control Box 424.4110



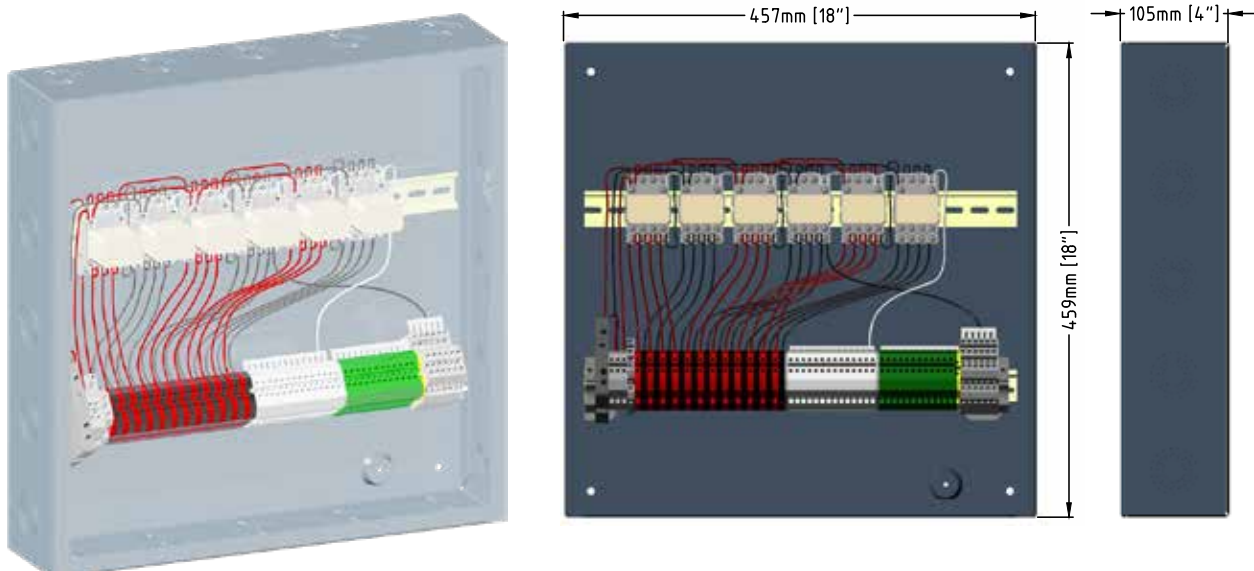
- Group control box designed for use with 110V AC 4-Wire BTX motorized window coverings (Classic, Tumo 4-wire, etc.)
- Box Dimensions: 10 in. x 10 in. x 4 in.

8-unit 110V Group Control Box 424.8110



- Group control box designed for use with 110V AC 4-Wire BTX motorized window coverings (Classic, Tumo 4-wire, etc.)
- Box Dimensions: 12 in. x 12 in. x 4 in.

12-unit 110V Group Control Box 424.1210



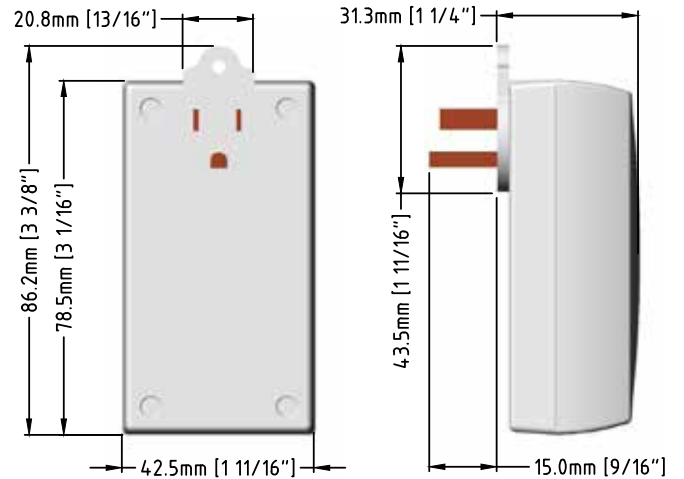
- Group control box designed for use with 110V AC 4-Wire BTX motorized window coverings (Classic, Tumo 4-wire, etc.)
- Box Dimensions: 18 in. x 18 in. x 4 in.

Somfy Telis 1 or 4 RTS Remote 490.20XX



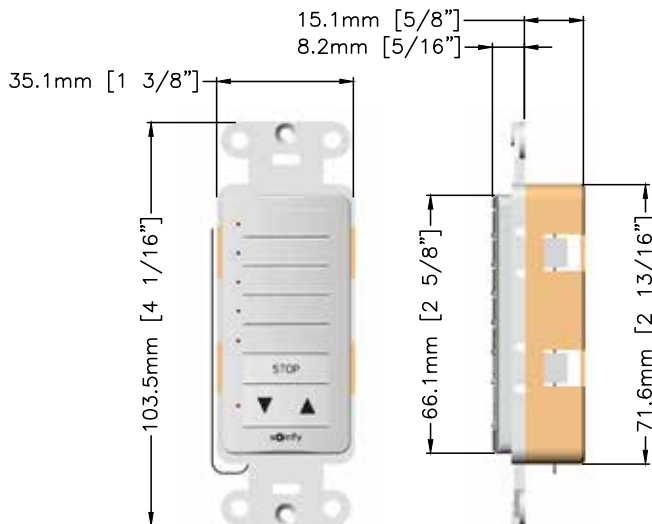
- Somfy RTS
- Single unit/group remote control
- Available in Pure, Silver, and Lounge

Somfy MyLink 424.9001



- Somfy RTS/WiFi
- Connects to any Somfy RTS shade through local WiFi network

Somfy 1 or 5-Ch DecoFlex WireFree RTS 480.15XX



- Somfy RTS
- Single unit/group remote control
- Available in White, Ivory, and Black

Somfy DecoFlex WireFree RTS with Switchplate



- Somfy RTS
- 5-unit/group remote control
- Available in White, Ivory, and Black



www.midwestdesignersupply.com

888-523-2611
262-524-1007 (fax)